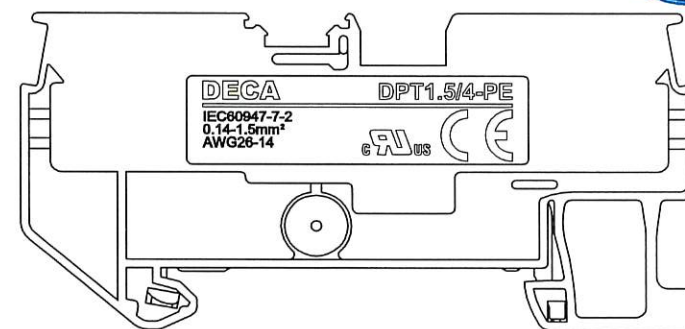
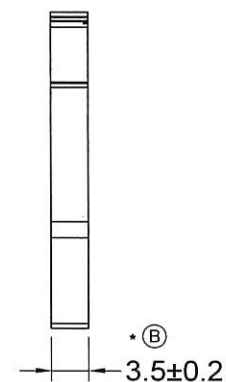
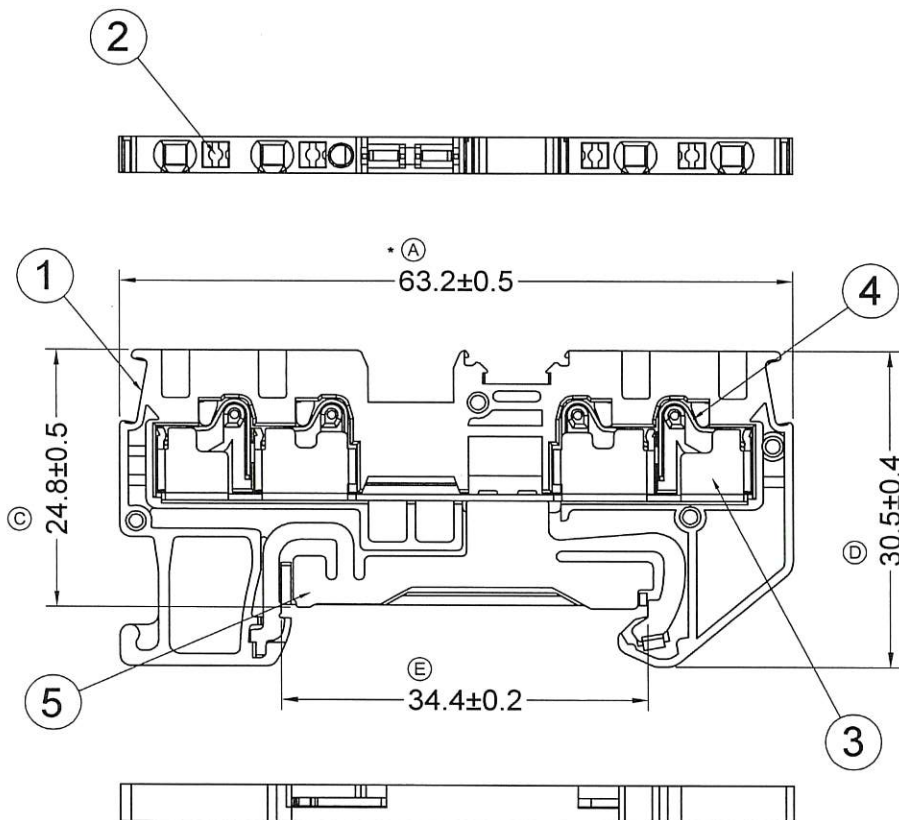
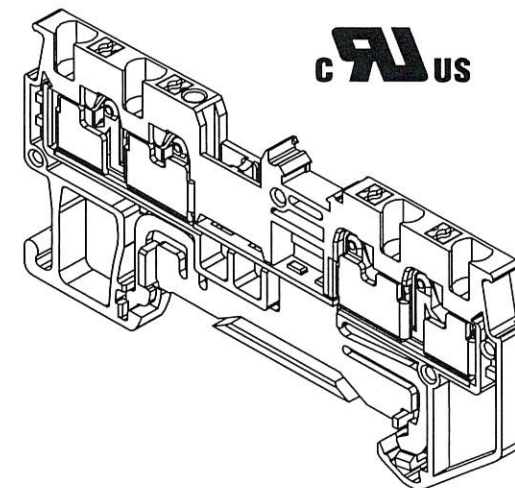


# Type No.: DPT1.5/4-PE



RoHS  
Compliant



1. Rated voltage : 300V(UL)
2. Rated voltage : 500V(IEC)
3. Rated surge voltage: 6KV
4. Operation temperature : -40°C to +105°C
5. Wire strip length: 8mm-10mm
6. Wire size : 26 - 14 AWG (0.14-1.5mm<sup>2</sup>)

CONFIRMED & ACCEPTED BY \_\_\_\_\_

	Material		QTY	Plating/Finish	Remark
1	Insulating body	Polyamide 66	1		
2	Button	PBT	4		
3	Terminal	COPPER	1	Tin plated	
4	Spring	STAINLESS	4		
5	Terminal	COPPER ALLOY	1	Tin plated	

<b>DECA<sup>®</sup>SwitchLab Inc.</b>			PART NAME	UNIT	SCALE
			Terminal Blocks	MM	1/1
DESIGN 蔡明杉	CHECK Tony	APPROVE Jalen	DRAWING NO.	SHEET	
DATE 2018/03/08	DATE 2018/03/08	DATE 2018/03/08	DPT1.5/4-PE	1/1	

B
REV.