



常规系列 (General purpose) DJW12-12(12V12Ah)

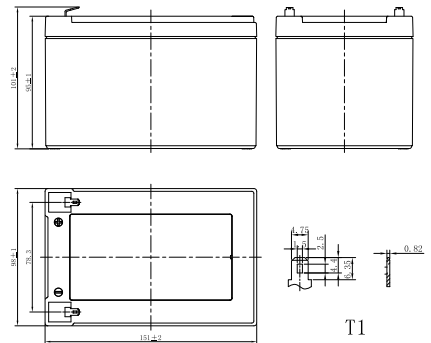


规格 Specifications

额定电压 Rated Voltage	12V		
标称容量 Nominal Capacity(C ₂₀ , 1.75V/cell)	12Ah		
尺寸 Dimension	长 Length	151±2mm (5.94 inches)	
	宽 Width	98±1mm (3.86 inches)	
	高 Container Height	95±1mm (3.74 inches)	
	总高(含端子) Total Height	101±1mm (3.98 inches)	
重量 Approx Weight	3.24kg (7.14 lbs)		
端子 Terminal	T1/T2		
外壳材料 Container Material	ABS		
额定容量 Rated Capacity(25°C)	12.0 Ah	C20(0.600A, 1.75V/cell)	
	11.3 Ah	C10(1.03A, 1.75V/cell)	
	10.4 Ah	C5(2.07A, 1.75V/cell)	
	9.18 Ah	C3(3.06A, 1.75V/cell)	
	7.89 Ah	C1(7.89A, 1.60V/cell)	
5S最大放电电流 Max. Discharge Current	180A (5s)		
内阻 Internal Resistance(25°C)	Approx 19mΩ		
运行温度 Operating Temp. Range	放电 Discharge	-20 ~ 55°C (-4 ~ 131°F)	
	充电 Charge	-20 ~ 40°C (-4 ~ 104°F)	
	存储 Storage	-15 ~ 50°C (5 ~ 122°F)	
推荐温度 Nominal Operating Temp. Range	25±5°C (77±5°F)		
最大充电电流 Max. Charging Current(25°C)	3.6A		
充电电压 Charge voltage(25°C)	浮充 Float	2.25~2.30V/cell	温度补偿 Temp. Coefficient -3mV/单格/°C
	均充 Equalization	2.35~2.40V/cell	-4mV/单格/°C
	循环 Cycle	2.40~2.50V/cell	-5mV/单格/°C
	40°C (104°F)		103%
温度对容量影响 Effect of temp. to Capacity	25°C (77°F)		100%
	0°C (32°F)		86%
自放电 Self Discharge	≤3%/月 @ 25°C		



外形 Layout



恒流放电表(A)25°C Constant Current Discharge

F.V/Time	5min	10min	15min	20min	30min	45min	1h	1.5h	2h	3h	4h	5h	6h	8h	10h	20h
1.85V/cell	35.8	24.7	19.4	15.8	11.6	8.50	7.14	5.23	4.11	2.96	2.36	2.01	1.72	1.36	1.11	0.587
1.80V/cell	38.5	26.2	20.4	16.4	12.0	8.72	7.31	5.34	4.18	3.01	2.40	2.04	1.75	1.38	1.12	0.593
1.75V/cell	40.5	27.3	21.0	16.9	12.3	8.91	7.46	5.43	4.26	3.06	2.43	2.07	1.77	1.39	1.13	0.600
1.70V/cell	42.4	28.4	21.7	17.4	12.6	9.11	7.60	5.53	4.32	3.11	2.46	2.09	1.79	1.41	1.15	0.605
1.67V/cell	43.9	29.2	22.3	17.7	12.8	9.26	7.71	5.60	4.37	3.14	2.49	2.11	1.81	1.42	1.15	0.610
1.60V/cell	46.6	30.4	23.0	18.3	13.2	9.49	7.89	5.72	4.46	3.19	2.53	2.15	1.83	1.44	1.17	0.616

恒功率放电表(W/cell) 25°C Constant Power Discharge

F.V/Time	5min	10min	15min	20min	30min	45min	1h	1.5h	2h	3h	4h	5h	6h	8h	10h	20h
1.85V/cell	67.7	47.1	37.2	30.4	22.5	16.5	13.9	10.2	8.04	5.83	4.65	3.97	3.41	2.69	2.20	1.17
1.80V/cell	72.1	49.5	38.8	31.5	23.1	16.9	14.2	10.4	8.17	5.91	4.71	4.02	3.45	2.73	2.23	1.19
1.75V/cell	75.1	51.2	39.8	32.2	23.5	17.2	14.4	10.5	8.30	5.99	4.77	4.07	3.49	2.75	2.25	1.20
1.70V/cell	77.9	52.8	40.9	32.9	24.0	17.5	14.6	10.7	8.40	6.07	4.83	4.12	3.53	2.78	2.27	1.21
1.67V/cell	79.9	54.0	41.8	33.5	24.4	17.7	14.8	10.8	8.48	6.12	4.87	4.15	3.56	2.80	2.29	1.22
1.60V/cell	83.1	55.6	42.9	34.3	24.9	18.0	15.1	11.0	8.62	6.21	4.94	4.20	3.60	2.84	2.32	1.23



常规系列 (General purpose) DJW12-12(12V12Ah)



应用 Applications

- 通讯
Telecommunications
- UPS、数据中心
UPS、Data Center
- 储能、电力
Energy Storage、Electric Systems
- 紧急照明、安防
Emergency Lighting、Security
- 医疗、电子设备
Medical、Electronic Equipment
- 动力
Motive Power

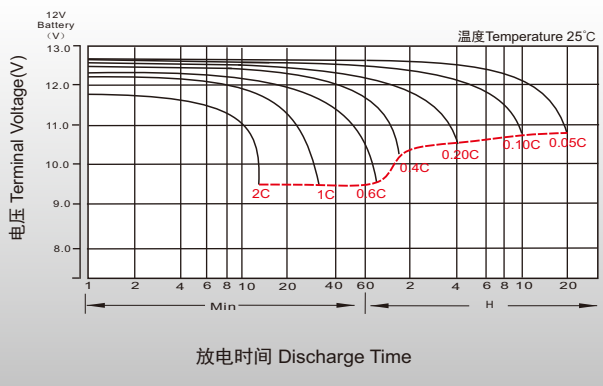
特征 General Features

- 25°C下，设计浮充寿命可达5年。
Under 25°C, the designed floating life is up to 5 years.
- 特殊的排气结构和密封技术,使用安全可靠,安装灵活,维护便捷。
Special exhaust structure and sealing technology, safe and reliable, flexible installation, convenient maintenance.

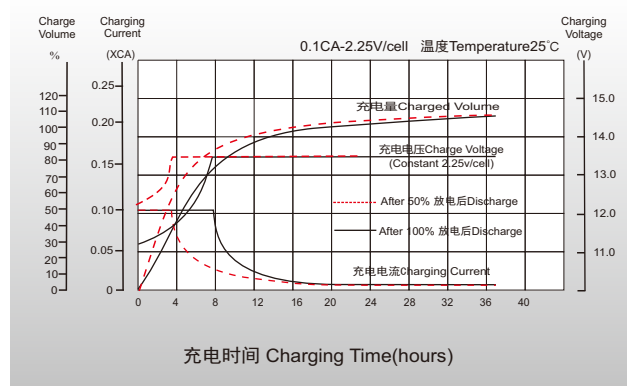
标准 Standards

- 符合IEC 61056, GB/T19639
Compliance with IEC 61056,GB/T19639
- UL 认证, CE 认证
UL Certified, CE Certified
- 企业通过了IATF16949, ISO 45001, ISO 9001和ISO 14001体系认证
Manufactured in Leoch@IATF16949, ISO 45001, ISO 9001 and ISO 14001 certified production facilities

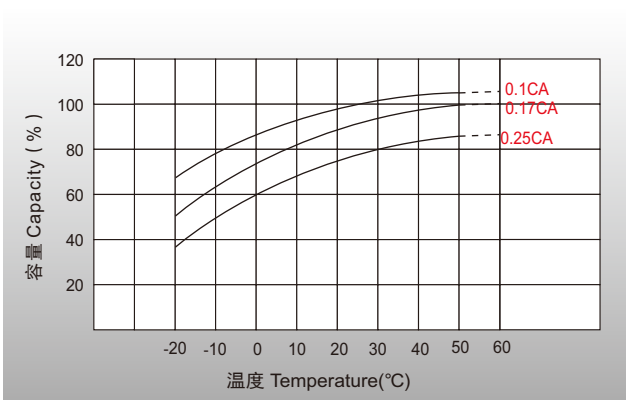
放电特性曲线 Discharge Characteristics



浮充特性曲线 Float Charging Characteristics



温度对容量影响 Temperature Effects in Relation to Battery Capacity



温度对浮充寿命影响 Temperature Effects on Long Term Float Life

