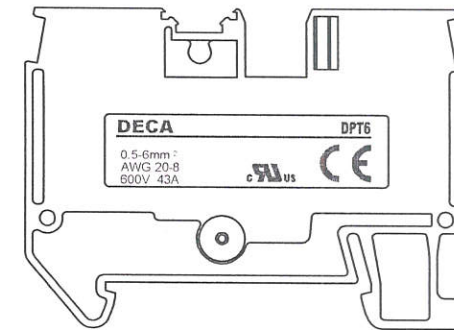
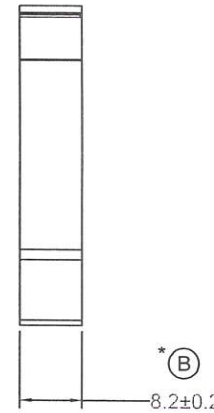
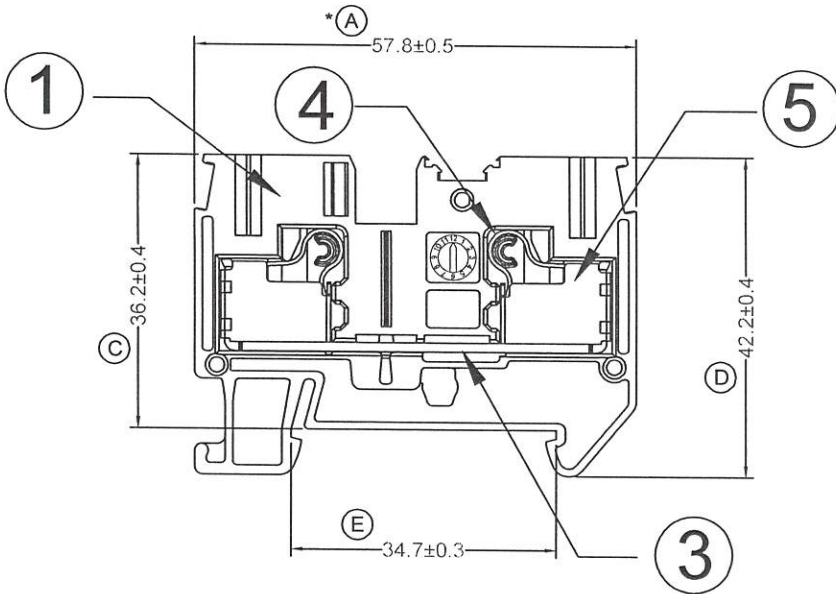
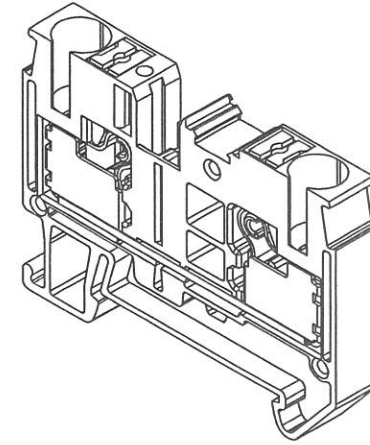
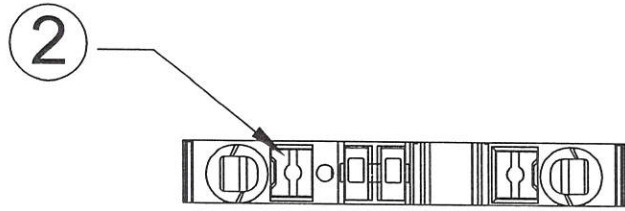


Type No.: DPT6

COLOR : [ ](blank) : gray  
 BU : blue  
 OG : orange  
 GN : green  
 RD : red  
 YE : yellow



RoHS  
Compliant



1. Rated current & voltage : 43Amp 600V(UL B,C class)
2. Rated current & voltage : 41Amp 1000V(IEC)
3. Rated surge voltage: 8KV
4. Operation temperature : -40°C to +105°C
5. Wire strip length: 12mm
6. Wire size : 20 - 8 AWG (0.5-6mm<sup>2</sup>)

CONFIRMED & ACCEPTED BY \_\_\_\_\_

	Material	QTY	Plating/Finish	Remark
1	Insulating body Polyamide 66	1		
2	Button PBT	2		
3	Terminal COPPER	1	Tin plated	
4	Spring STAINLESS	2		
5	Shell STEEL	2	Zinc plated	

<b>DECA</b> SwitchLab Inc.			PART NAME	UNIT	SCALE
			Terminal Blocks	MM	1/1
DESIGN <i>eden</i>	CHECK <i>Sam</i>	APPROVE <i>J-Li</i>	DRAWING NO.	SHEET	
DATE 2020/10/05	DATE 2020/10/05	DATE 2020/10/05	DPT6 x	1/1	

B  
REV.