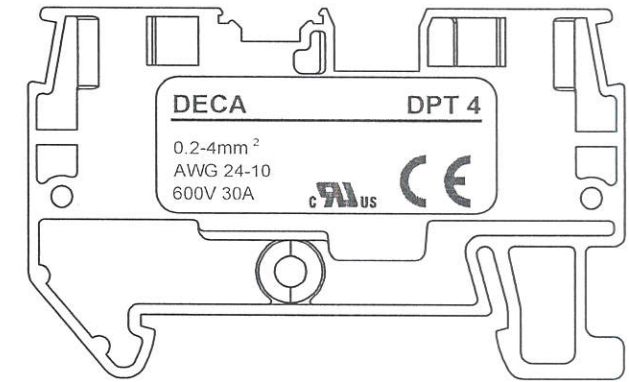
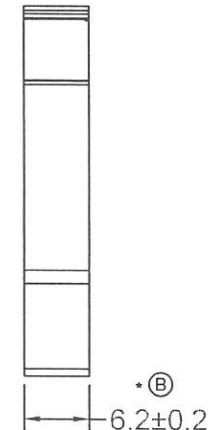
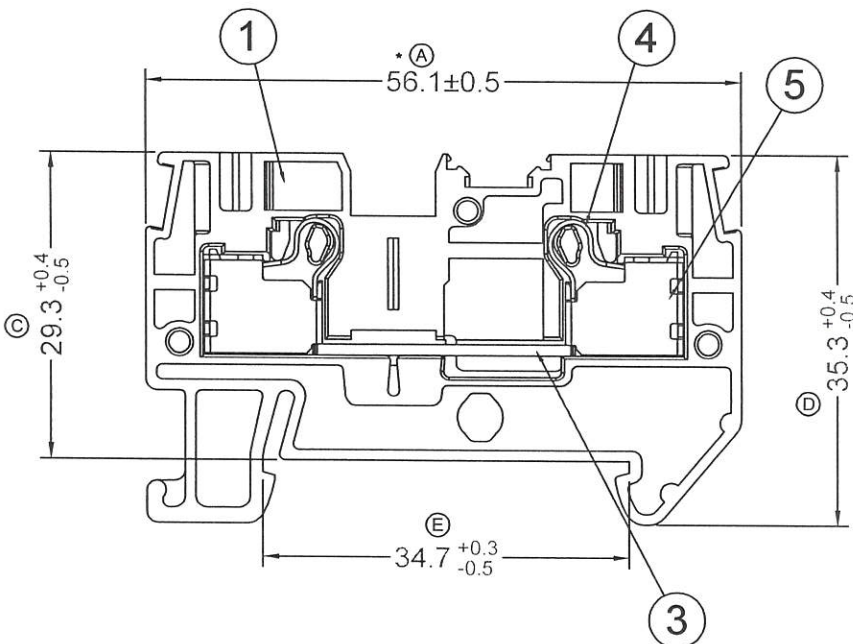
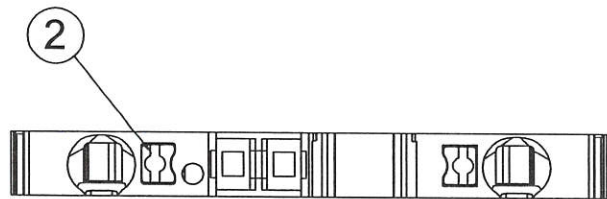
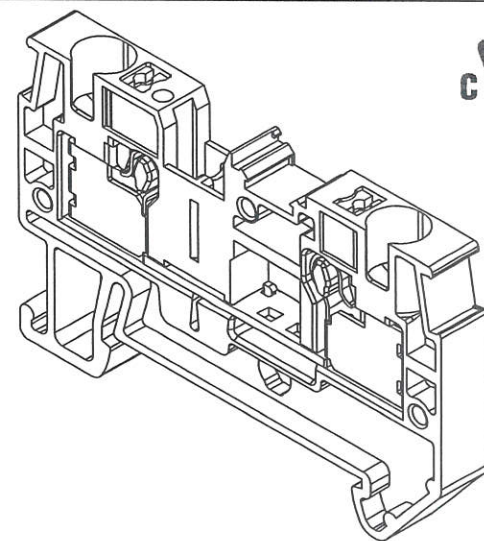


Type No.: DPT4

COLOR : [](blank) : gray
 BU : blue
 OG : orange
 GN : green
 RD : red
 YE : yellow



RoHS
Compliant



1. Rated current & voltage : 30Amp 600V(UL B,C class)
2. Rated current & voltage : 32Amp 800V(IEC)
3. Rated surge voltage: 8KV
4. Operation temperature : -40°C to +105°C
5. Wire strip length: 8mm-12mm
6. Wire size : 24 - 10 AWG (0.2-4mm²)

CONFIRMED & ACCEPTED BY					
	Material		QTY	Plating/Finish	Remark
1	Insulating body	Polyamide 66	1		
2	Button	PBT	2		
3	Terminal	COPPER	1	Tin plated	
4	Spring	STAINLESS	2		
5	Shell	STEEL	2	Zinc plated	

DECA SwitchLab Inc.			PART NAME	UNIT	SCALE
			Terminal Blocks	MM	1/1
DESIGN <i>Eden</i>	CHECK <i>Sam</i>	APPROVE <i>J. Elvik</i>	DRAWING NO.	SHEET	
DATE 2020/10/05	DATE 2020/10/05	DATE 2020/10/05	DPT4 x	1/1	

B
REV.