

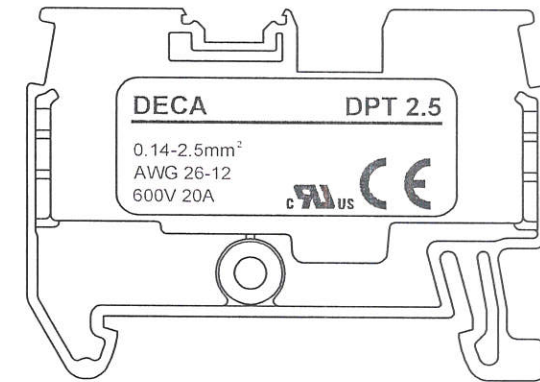
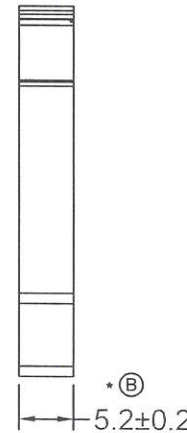
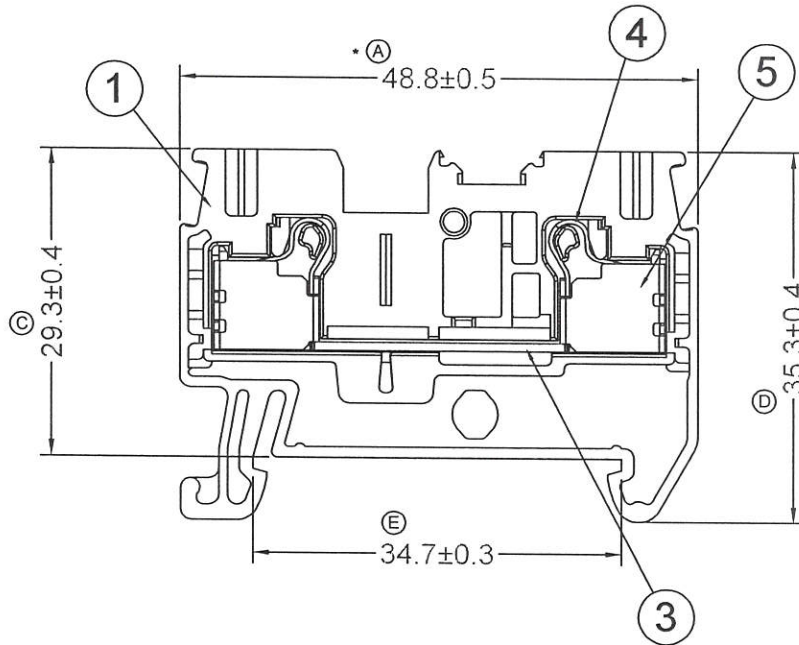
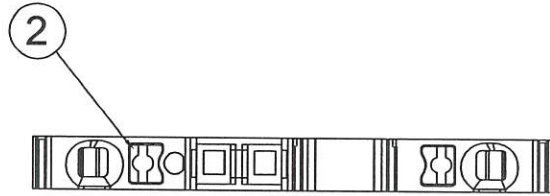
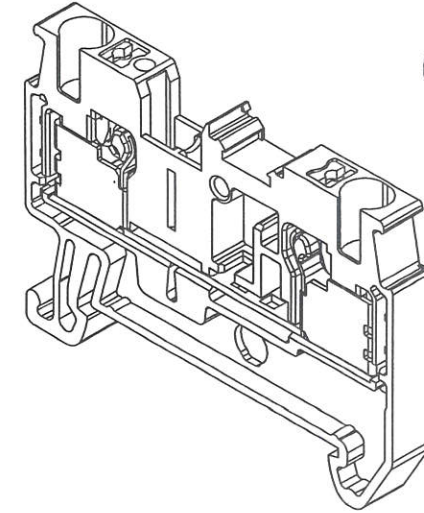
Type No.: DPT2.5



COLOR : [ ](blank) : gray  
 BU : blue  
 OG : orange  
 GN : green  
 RD : red  
 YE : yellow



RoHS  
Compliant



1. Rated current & voltage : 20Amp 600V(UL B,C class)
2. Rated current & voltage : 24Amp 800V(IEC)
3. Rated surge voltage: 8KV
4. Operation temperature : -40°C to +105°C
5. Wire strip length: 8mm-10mm
6. Wire size : 26 - 12 AWG (0.14-2.5mm<sup>2</sup>)

CONFIRMED & ACCEPTED BY

|   | Material        |              | QTY | Plating/Finish | Remark |
|---|-----------------|--------------|-----|----------------|--------|
| 1 | Insulating body | Polyamide 66 | 1   |                |        |
| 2 | Button          | PBT          | 2   |                |        |
| 3 | Terminal        | COPPER       | 1   | Tin plated     |        |
| 4 | Spring          | STAINLESS    | 2   |                |        |
| 5 | Shell           | STEEL        | 2   | Zinc plated    |        |

**DECA** SwitchLab Inc.

|                 |      |       |
|-----------------|------|-------|
| PART NAME       | UNIT | SCALE |
| Terminal Blocks | MM   |       |

|             |            |              |
|-------------|------------|--------------|
| DESIGN      | CHECK      | APPROVE      |
| <i>Eden</i> | <i>Sam</i> | <i>Allen</i> |
| DATE        | DATE       | DATE         |
| 2020/10/05  | 2020/10/05 | 2020/10/05   |

|             |  |       |
|-------------|--|-------|
| DRAWING NO. |  | SHEET |
| DPT2.5 x    |  | 1 / 1 |

|      |
|------|
| C    |
| REV. |