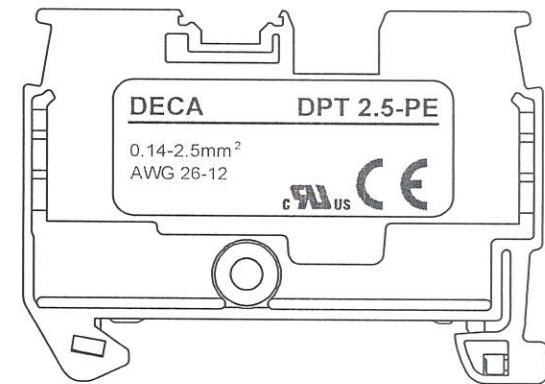
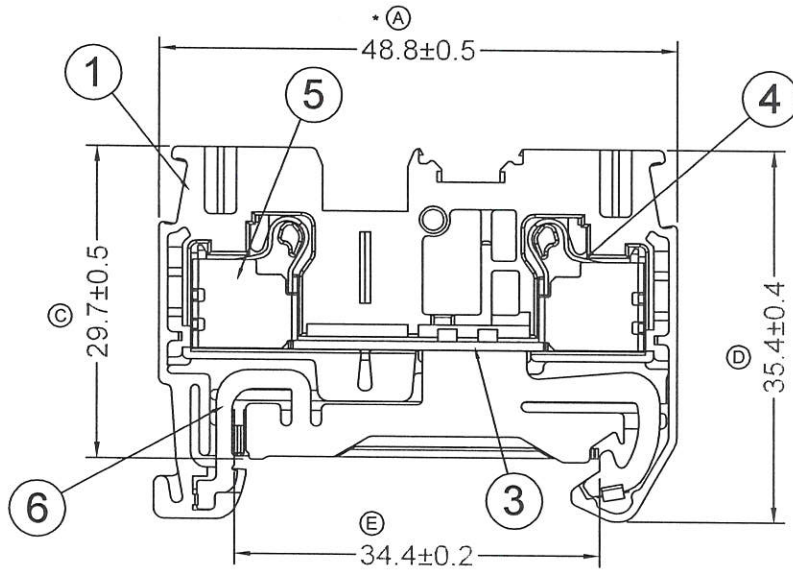
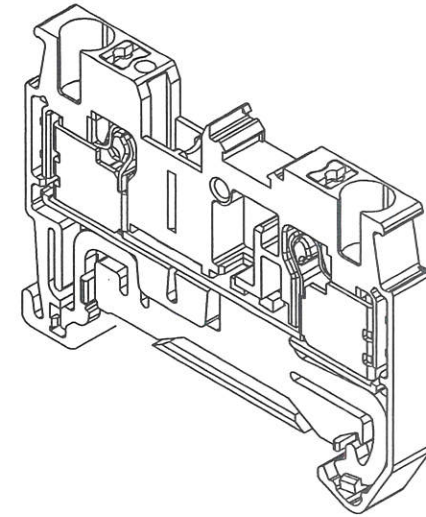
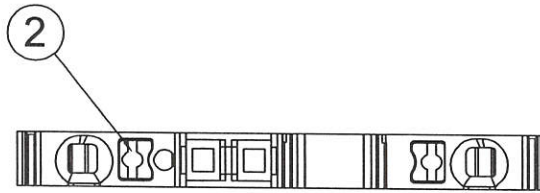


Type No.: DPT2.5-PE



1. Rated voltage : 600V(UL)
2. Rated voltage : 800V(IEC)
3. Rated surge voltage: 8KV
4. Operation temperature : -40°C to +105°C
5. Wire strip length: 8mm-10mm
6. Wire size : 26 - 12 AWG (0.14-2.5mm²)


CONFIRMED & ACCEPTED BY

	Material		QTY	Plating/Finish	Remark
1	Insulating body	Polyamide 66	1	Green & Yellow(MIX)	
2	Button	PBT	2		
3	Terminal	COPPER	1	Tin plated	
4	Spring	STAINLESS	2		
5	Shell	STEEL	2	Zinc plated	
6	Terminal	COPPER ALLOY	1	Tin plated	



DECA SwitchLab Inc.

DESIGN <i>Eden</i>	CHECK <i>Sam</i>	APPROVE <i>gllx</i>
DATE 2020/10/05	DATE 2020/10/05	DATE 2020/10/05

PART NAME	UNIT	SCALE
Terminal Blocks	MM	<input checked="" type="checkbox"/>
DRAWING NO.		SHEET
DPT2.5-PE		1 / 1