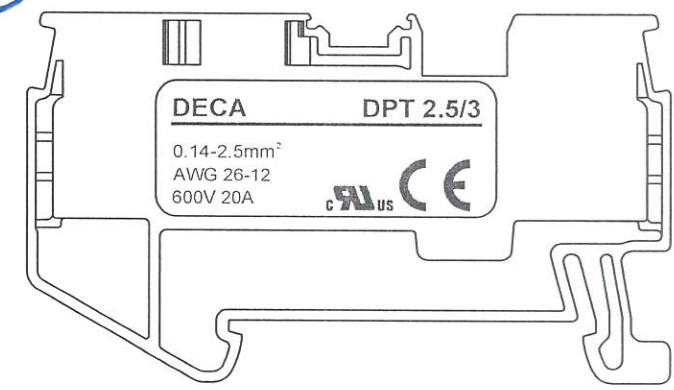
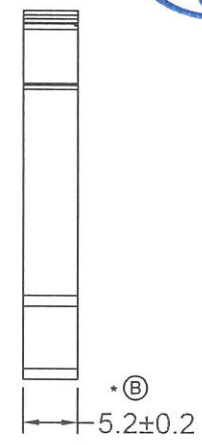
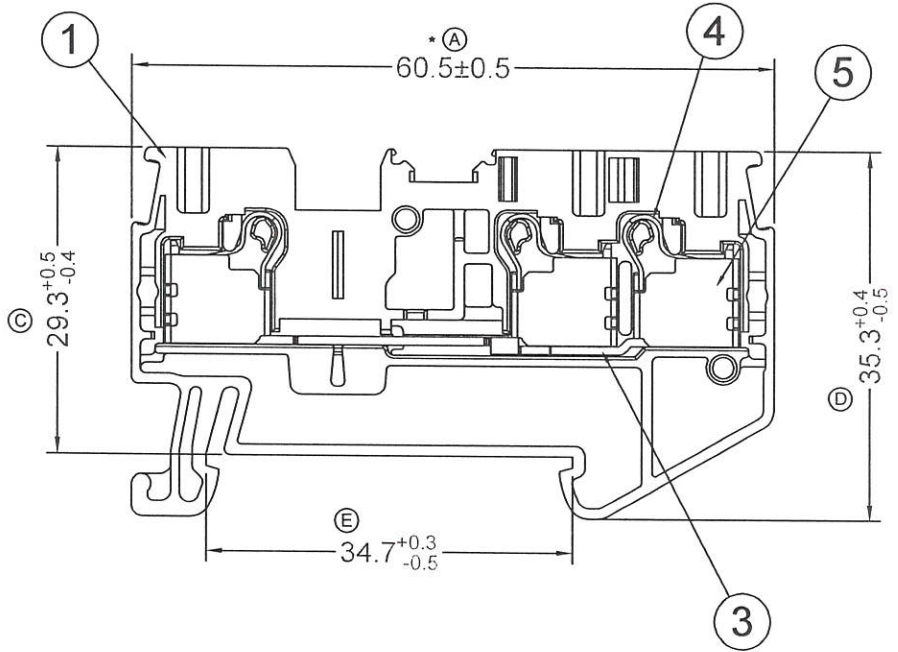
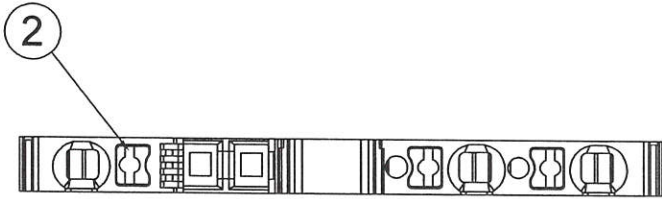
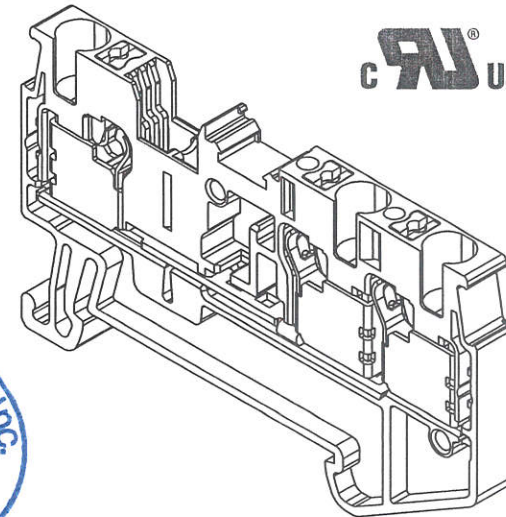


Type No.: DPT2.5/3

COLOR : [](blank) : gray
 BU : blue
 OG : orange
 GN : green
 RD : red
 YE : yellow

UL US RoHS
 Compliant



1. Rated current & voltage : 20Amp 600V(UL B,C class)
2. Rated current & voltage : 24Amp 800V(IEC)
3. Rated surge voltage: 8KV
4. Operation temperature : -40°C to +105°C
5. Wire strip length: 8mm-10mm
6. Wire size : 26 - 12 AWG (0.14-2.5mm²)

CONFIRMED & ACCEPTED BY _____

	Material		QTY	Plating/Finish	Remark
1	Insulating body	Polyamide 66	1		
2	Button	PBT	3		
3	Terminal	COPPER	1	Tin plated	
4	Spring	STAINLESS	3		
5	Shell	STEEL	3	Zinc plated	

DECA SwitchLab Inc.			PART NAME	UNIT	SCALE
			Terminal Blocks	MM	<input checked="" type="checkbox"/>
DESIGN <i>eden</i>	CHECK <i>Sam</i>	APPROVE <i>Felix</i>	DRAWING NO.	SHEET	
DATE 2020/10/05	DATE 2020/10/05	DATE 2020/10/05	DPT2.5/3 x	1/1	

B
REV.