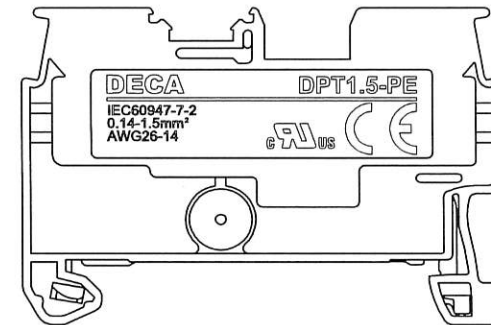
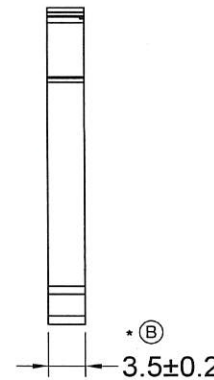
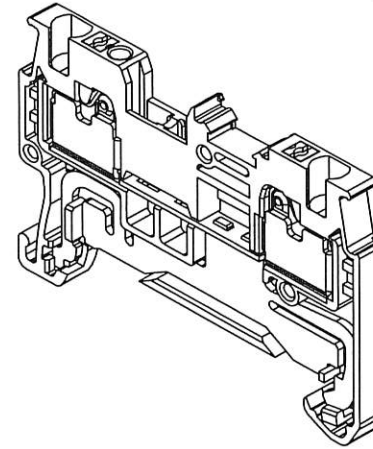
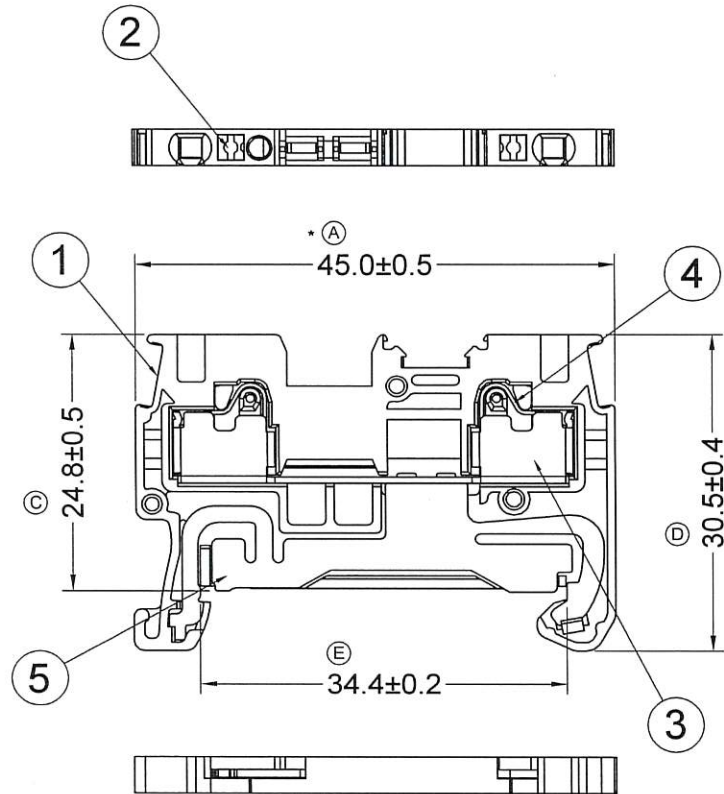


Type No.: DPT1.5-PE

CE **US** **RoHS**
Compliant



1. Rated voltage : 300V(UL)
2. Rated voltage : 500V(IEC)
3. Rated surge voltage: 6KV
4. Operation temperature : -40°C to +105°C
5. Wire strip length: 8mm-10mm
6. Wire size : 26 - 14 AWG (0.14-1.5mm²)

CONFIRMED & ACCEPTED BY

	Material		QTY	Plating/Finish	Remark
1	Insulating body	Polyamide 66	1		
2	Button	PBT	2		
3	Terminal	COPPER	1	Tin plated	
4	Spring	STAINLESS	2		
5	Terminal	COPPER ALLOY	1	Tin plated	

DECA ® SwitchLab Inc.			PART NAME	UNIT	SCALE
			Terminal Blocks	MM	1/1
DESIGN	CHECK	APPROVE	DRAWING NO.	SHEET	
DATE	DATE	DATE	DPT1.5-PE		
2018/03/07	2018/03/07	2018/03/07			

B
REV.