

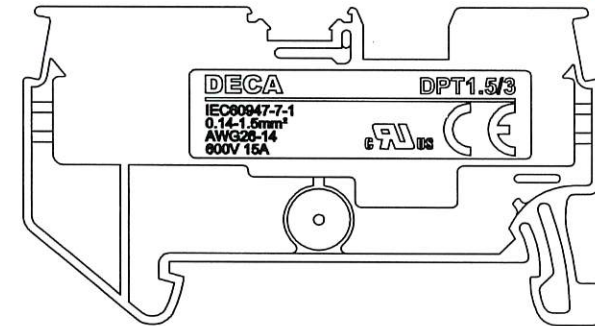
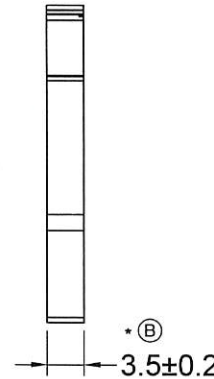
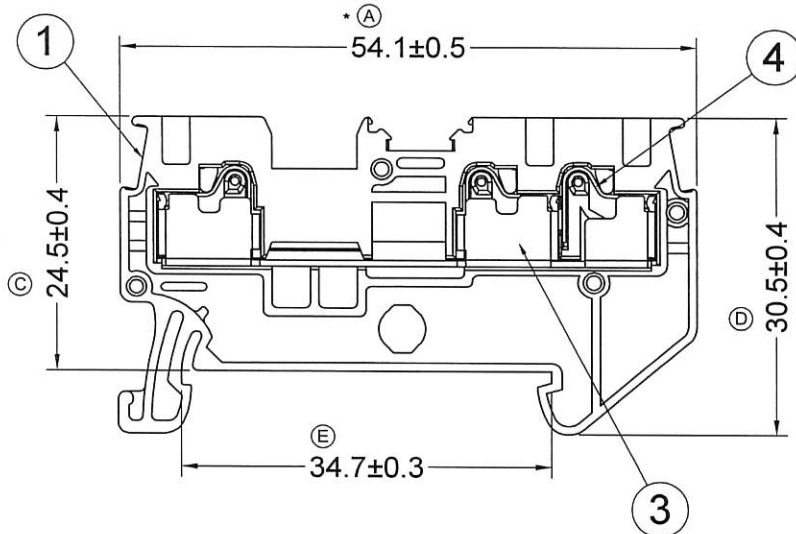
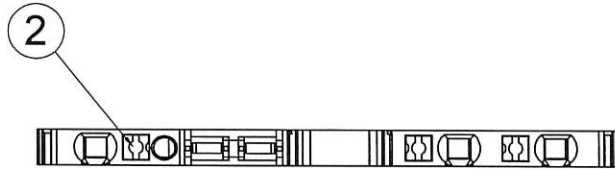
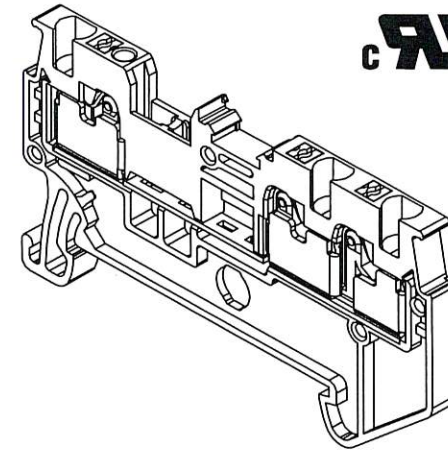
Type No.: DPT1.5/3



COLOR



RoHS
Compliant



1. Rated current & voltage : 15Amp 300V(UL B,C class)
5Amp 600V (UL D class)
2. Rated current & voltage : 17.5Amp 500V(IEC)
3. Rated surge voltage: 6KV
4. Operation temperature : -40°C to +105°C
5. Wire strip length: 8mm-10mm
6. Wire size : 26 - 14 AWG (0.14-1.5mm²)

CONFIRMED & ACCEPTED BY

	Material		QTY	Plating/Finish	Remark
1	Insulating body	Polyamide 66	1		
2	Button	PBT	3		
3	Terminal	COPPER	1	Tin plated	
4	Spring	STAINLESS	3		

DECA® SwitchLab Inc.

DESIGN 日期 2018/03/08	CHECK 日期 2018/03/08	APPROVE 日期 2018/03/08
----------------------------	---------------------------	-----------------------------

PART NAME Terminal Blocks	UNIT MM	SCALE 1/1
DRAWING NO. DPT1.5/3 x		