

TYPE No. : CP24L-A2BE□□□

- : Lens & Lamp Color (see the table below for details)
- : Voltage (Q2 : 6V, Q3 : 12V, Q4 : 24V, Q5 : 36V, Q6 : 48V, Q7 : 60V, Q11 : 110V, Q22 : 220V)
- : Contact (10:1NO, 01:1NC)
- E : Standard
- B : Markable
- A2 : Maintained Extended
- CP24L : CP2 Metal Bezel Illuminated Pushbutton Switch

ORDER No. : CP24L-A2BE□□□

Contact Block Mounting Position

Configuration	Contact	Position	Operator Position		Contact Part
			Free	Push	
10	①	NO		●	SCP2-E10P
	②	—			SCP2-E00P + LED
01	①	NC	●		SCP2-E01P
	②	—			SCP2-E00P + LED

Lens & LED Color

		Code							
		A	G	R	S	Y	W	PW	C
Lens	Amber	Green	Red	Blue	Yellow	White	Clear	Clear	Clear
LED	Amber	Green	Red	Blue	Yellow	White	White	White	Yellow

Contact Ratings

Rated Insulation Voltage (Ui)		400V				
Rated Thermal Current (Ith)		8A				
Rate Operational Voltage (Ue)		12V	30V	120V	240V	380V
AC 50/60HZ	Resistive Load (AC-12) (Ie)	8A	8A	8A	6A	3.8A
	Inductive Load (AC-15) (Ie)	8A	8A	6A	3A	1.9A
Rate Operational Voltage (Ue)		12V	30V	125V	250V	400V
DC	Resistive Load (DC-12) (Ie)	2.5A	2.5A	1.1A	0.55A	0.3A
	Inductive Load (DC-13) (Ie)	2.5A	2.3A	0.55A	0.27A	0.15A

Product Specifications

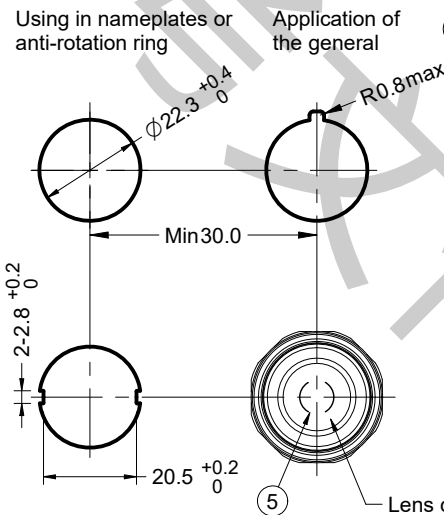
- Mechanical life : >250,000 operations
- Electrical life : >100,000 operations
- Electrical durability : 1,000,000 cycles AC-15, 230V/1.6A
1,000,000 cycles DC-13, 24V/0.6A
- Rate insulation voltage : 400V
- Rated thermal current : 8A
- Contact resistance : 100mΩ max. (at 1A 6-8V DC)
- Insulation resistance : 100MΩ min. (at 500V DC)
- Dielectric strength : 2000V AC 50/60 HZ for 1 min
- Degree of protection : IP66, Type 4X Indoor use only & Type 13
IP30 (under panel)
- Storage temperature : -40°C to +85°C
- Operating temperature : -25°C to +55°C
- Operating humidity : 45% to 85% RH
- Approved standards : UL508(CSA C22.2 No.14), UL1059
A300 Q300, IEC 60947-5-1, GB/T 14048.5
- Hazardous substances : Corresponding RoSH and REACH
- Wire diameter : 16~26 AWG, 0.2~1.5mm²
- Stripping length : 8mm

RoHS
Compliant

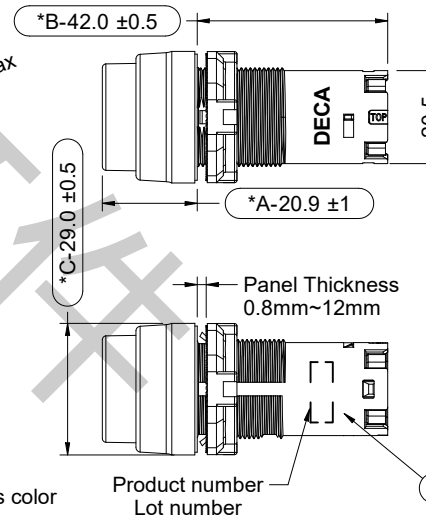


*The indicator voltage below 36V is not within the CCC certification scope.

Hole Dia

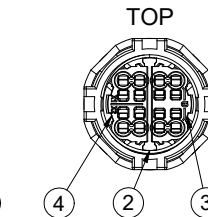


Product Appearance



Component

Item	Name	Material	Number
1	CP24L-A2BE	—	1
2	Partition	PA66	1
3	Contact ①	—	1
4	SCP2-E00P	—	1
5	LED	—	1



DECA® SwitchLab Inc.

DESIGN	CHECK	APPROVE
DATE	DATE	DATE
2022/11/17	2022/11/17	2022/11/17

PART NAME	UNIT	SCALE
CP2 Metal Bezel Illuminated Pushbutton Switches	mm	0.6 : 1
DRAWING NO.		SHEET
CP24L-A2BE□□□		1 / 1