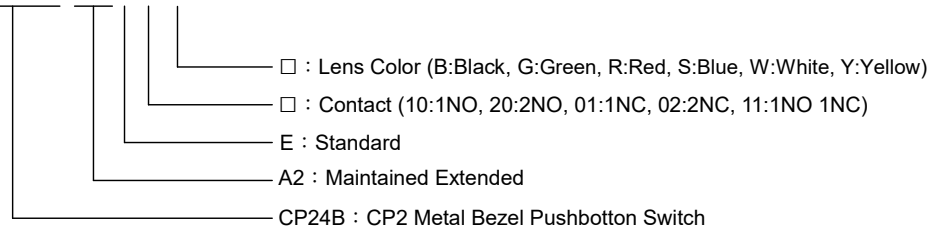


TYPE No. : CP24B-A2E□□



ORDER No. : CP24B-A2E□□

Contact Block Mounting Position

Configuration	Contact	Position	Operator Position		Contact Part
			Free	Push	
10	①	NO		●	SCP2-E10P
	②	—			Empty Contact
20	①	NO		●	SCP2-E10P
	②	NO		●	SCP2-E10P
01	①	NC	●		SCP2-E01P
	②	—			Empty Contact
02	①	NC	●		SCP2-E01P
	②	NC	●		SCP2-E01P
11	①	NO		●	SCP2-E10P
	②	NC	●		SCP2-E01P

Contact Ratings

Rated Insulation Voltage (Ui)		400V				
Rated Thermal Current (Ith)		8A				
Rate Operational Voltage (Ue)		12V	30V	120V	240V	380V
AC 50/60HZ	Resistive Load (AC-12) (Ie)	8A	8A	8A	6A	3.8A
	Inductive Load (AC-15) (Ie)	8A	8A	6A	3A	1.9A
Rate Operational Voltage (Ue)		12V	30V	125V	250V	400V
DC	Resistive Load) (DC-12) (Ie)	2.5A	2.5A	1.1A	0.55A	0.3A
	Inductive Load (DC-13) (Ie)	2.5A	2.3A	0.55A	0.27A	0.15A

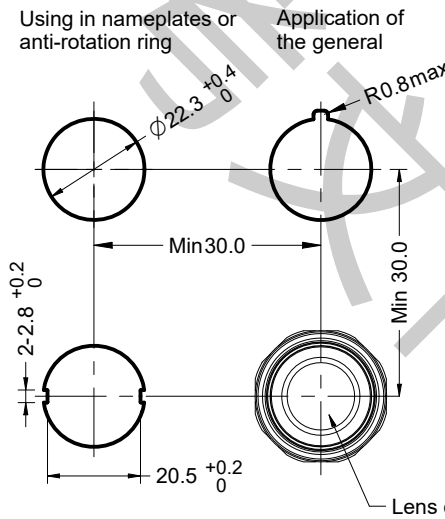
Product Specifications

Mechanical life : >250,000 operations
 Electrical life : >100,000 operations
 Electrical durability : 1,000,000 cycles AC-15, 230V/1.6A
 1,000,000 cycles DC-13, 24V/0.6A
 Rate insulation voltage : 400V
 Rated thermal current : 8A
 Contact resistance : 100mΩ max. (at 1A 6-8V DC)
 Insulation resistance : 100MΩ min. (at 500V DC)
 Dielectric strength : 2000V AC 50/60 HZ for 1 min
 Degree of protection : IP66, Type 4X Indoor use only & Type 13
 IP30 (under panel)
 Storage temperature : -40°C to +85°C
 Operating temperature : -25°C to +70°C
 Operating humidity : 45% to 85% RH
 Approved standards : UL508(CSA C22.2 No.14), UL1059
 A300 Q300, IEC 60947-5-1, GB/T 14048.5
 Hazardous substances : Corresponding RoSH and REACH
 Wire diameter : 16~26 AWG, 0.2~1.5mm²
 Stripping length : 8mm

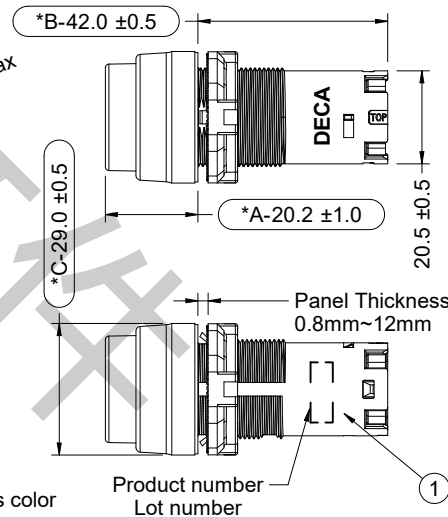
RoHS
Compliant



Hole Dia

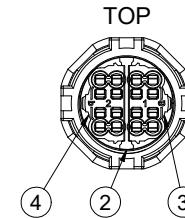


Pushbutton Switches



Component

Item	Name	Material	Number
1	CP24B-A2E	—	1
2	Partition	PA66	1
3	Contact ①	—	1
4	Contact ②	—	1
	Empty Contact	PA66+G20	



DECA ® SwitchLab Inc.			PART NAME	UNIT	SCALE
			CP2 Metal Bezel Pushbutton Switches	mm	0.6 : 1
DESIGN	CHECK	APPROVE	DRAWING NO.	SHEET	1 / 1
DATE 2022/11/17	DATE 2022/11/17	DATE 2022/11/17	CP24B-A2E□□		