

# C1 S 01 - R 1 2 □ □ - HG01

G01 : 2NC+2NO Gold-Plated with lamp terminal

□ : Button color

- B : Blue
- G : Green
- O : Orange
- R : Red
- W : White
- Y : Yellow
- P : Pure White

□ : lamp Operation Voltage

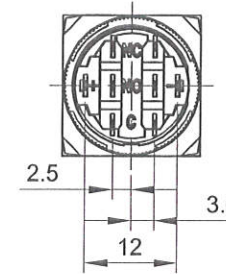
- 0 : Without Lamp
- Use Lense Lamp
- H : LED 6V AC/DC
- J : LED 12V AC/DC
- K : LED 24V AC/DC

2 : IP65

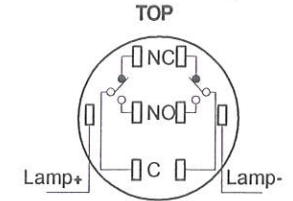
1 : Low bezel

01 : Alternate

## Bottom View

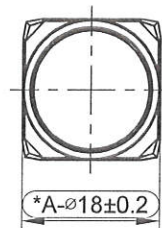
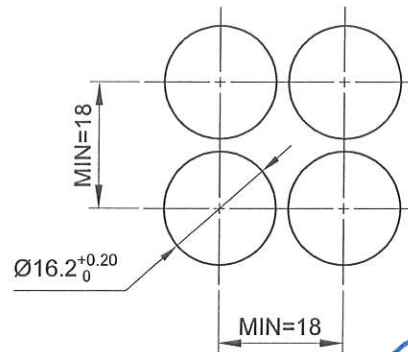
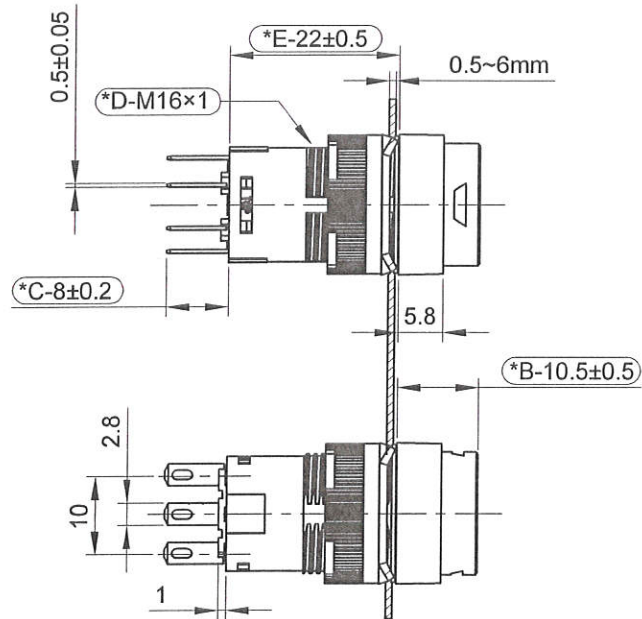


## Electrical Diagram



## Soldering/Plug-in Type Pushbutton Switch

## Hole Dia



## Product Specifications

Mechanical life : >100,000 operations  
 Electrical life : >50,000 operations  
 Electrical rating

Contact Ratings		250 V			
Rated Insulation Voltage(Ui)		250 V			
Rated Thermal Current (Ith)		5 A			
Operating Voltage(AC/DC) (Ue)		12V	30V	125V	250V
AC 50/60 Hz	Resistive Load (Ie)	5.0A	5.0A	4.0A	2.0A
	Inductive Load (Ie)	5.0A	5.0A	3.0A	1.5A
DC	Resistive Load (Ie)	1.0A	1.0A	0.32A	0.16A
	Inductive Load (Ie)	1.0A	1.0A	0.22A	0.11A

Max. insulation voltage : 1500V 60Hz 1min  
 between all terminals  
 Panel thickness : 0.5mm~6mm  
 Degree of protection : IP65  
 Storage temperature : -30°C to +80°C  
 Operating temperature : -25°C to +55°C  
 Contact resistance : <50mΩ(initial)  
 Insulation resistance : >100MΩ



<b>DECA</b> SwitchLab Inc.			PART NAME	UNIT	SCALE
			Ø16 Pushbutton Switch Round Alternate IP65	MM	1:1
DESIGN DATE 2021/05/24			DRAWING NO.		SHEET 1/1
			C1S01-R12 □ □ -HG01		
CHECK DATE 2021/05/24			APPROVE DATE 2021/05/24		

# C1 S 01 - R 1 2 □ □ - HG02



G02 : 1NC+1NO Gold-Plated with lamp terminal

□ : Button color

- B : Blue
- G : Green
- O : Orange
- R : Red
- W : White
- Y : Yellow
- P : Pure White

□ : lamp Operation Voltage

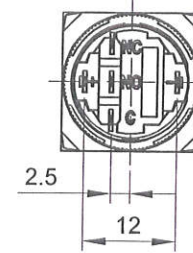
- 0 : Without Lamp Use Lense Lamp
- H : LED 6V AC/DC
- J : LED 12V AC/DC
- K : LED 24V AC/DC

2 : IP65

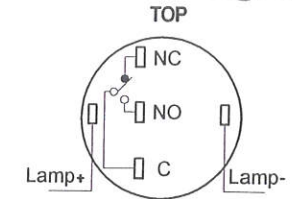
1 : Low bezel

01 : Alternate

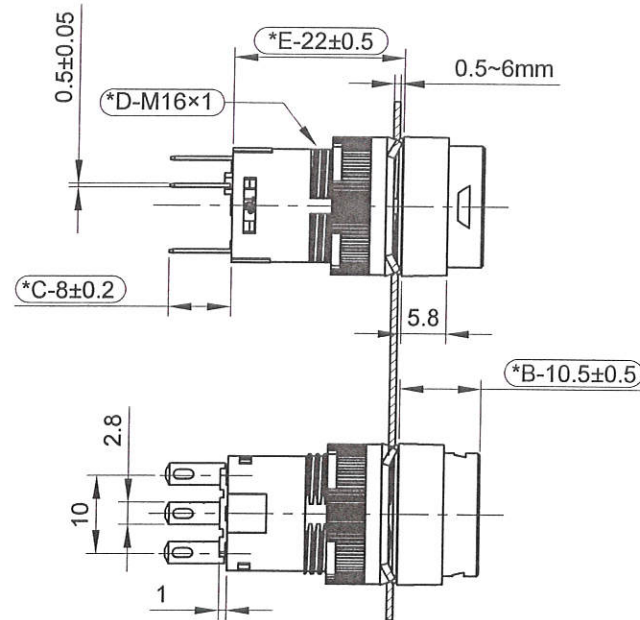
## Bottom View



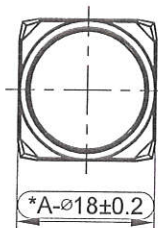
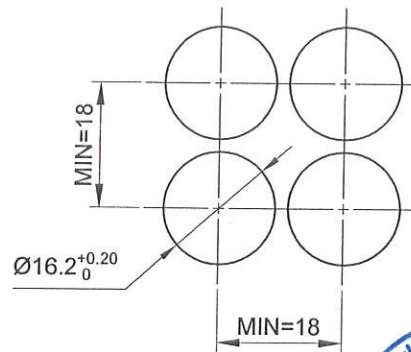
## Electrical Diagram



## Soldering/Plug-in Type Pushbutton Switch



## Hole Dia



## Product Specifications

Mechanical life : >100,000 operations  
 Electrical life : >50,000 operations  
 Electrical rating

Contact Ratings					
Rated Insulation Voltage(Ui)		250 V			
Rated Thermal Current (Ith)		5 A			
Operating Voltage(AC/DC) (Ue)		12V	30V	125V	250V
AC 50/60 Hz	Resistive Load (Ie)	5.0A	5.0A	4.0A	2.0A
	Inductive Load (Ie)	5.0A	5.0A	3.0A	1.5A
DC	Resistive Load (Ie)	1.0A	1.0A	0.32A	0.16A
	Inductive Load (Ie)	1.0A	1.0A	0.22A	0.11A

Max. insulation voltage : 1500V 60Hz 1min  
 between all terminals  
 Panel thickness : 0.5mm~6mm  
 Degree of protection : IP65  
 Storage temperature : -30°C to +80°C  
 Operating temperature : -25°C to +55°C  
 Contact resistance : <50mΩ(initial)  
 Insulation resistance : >100MΩ



<b>DECA</b> SwitchLab Inc.			PART NAME	UNIT	SCALE
			Ø16 Pushbutton Switch Round Alternate IP65	MM	1:1
DESIGN 東光華	CHECK W. B. Kuo	APPROVE W. B. Kuo	DRAWING NO.	SHEET	
DATE 2021/05/24	DATE 2021/05/24	DATE 2021/05/24	C1S01-R12 □ □ -HG02	1/1	

# C1 S 01 - R 1 2 1 □ - HG10

G10 : 2NC+2NO Gold-Plated  
without lamp terminal

□ : Button color

- B : Blue
- G : Green
- K : Black
- R : Red
- W : White
- Y : Yellow

1 : Without lamp  
Use General Cover

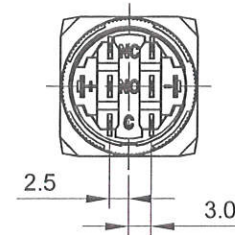
2 : IP65

1 : Low bezel

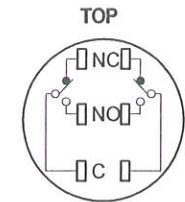
01 : Alternate



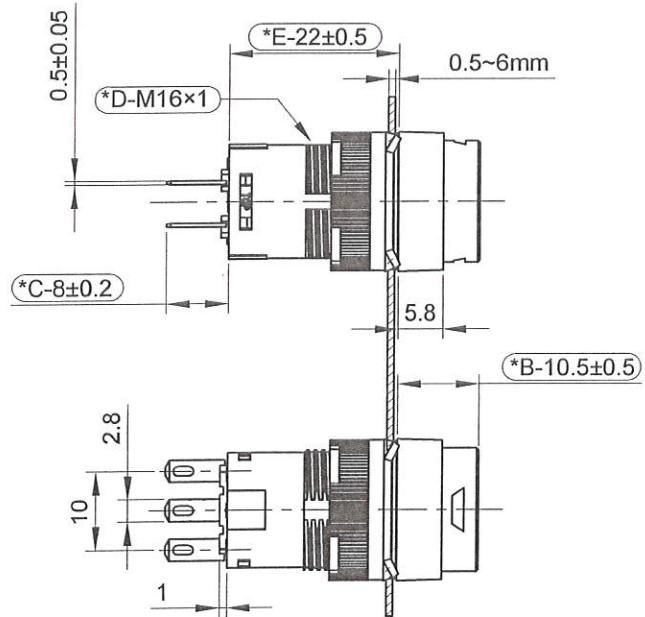
## Bottom View



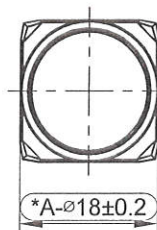
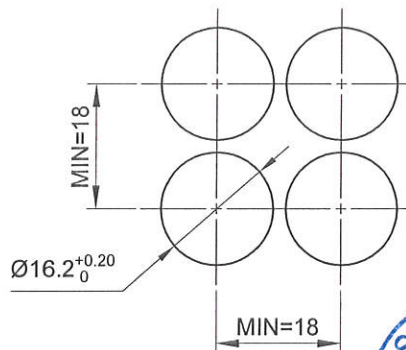
## Electrical Diagram



## Soldering/Plug-in Type Pushbutton Switch



## Hole Dia



## Product Specifications

Mechanical life : >100,000 operations

Electrical life : >50,000 operations

Electrical rating

Contact Ratings					
Rated Insulation Voltage(Ui)		250 V			
Rated Thermal Current (Ith)		5 A			
Operating Voltage(AC/DC) (Ue)		12V	30V	125V	250V
AC 50/60 Hz	Resistive Load (Ie)	5.0A	5.0A	4.0A	2.0A
	Inductive Load (Ie)	5.0A	5.0A	3.0A	1.5A
DC	Resistive Load (Ie)	1.0A	1.0A	0.32A	0.16A
	Inductive Load (Ie)	1.0A	1.0A	0.22A	0.11A

Max. insulation voltage : 1500V 60Hz 1min  
between all terminals

Panel thickness : 0.5mm~6mm

Degree of protection : IP65

Storage temperature : -30°C to +80°C

Operating temperature : -25°C to +55°C

Contact resistance : <50mΩ(initial)

Insulation resistance : >100MΩ

<b>DECA</b> SwitchLab Inc.			PART NAME	UNIT	SCALE
			Ø16 Pushbutton Switch Round Alternate IP65	MM	1:1
DESIGN	CHECK	APPROVE	DRAWING NO.	SHEET	1/1
DATE	DATE	DATE	C1S01-R12 1 □-HG10		

# C1 S 01 - R 1 2 1 □ - HG11

G11 : 1NC+1NO Gold-Plated  
without lamp terminal

□ : Button color

B : Blue  
G : Green  
K : Black  
R : Red  
W : White  
Y : Yellow

1 : Without lamp  
Use General Cover

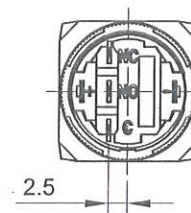
2 : IP65

1 : Low bezel

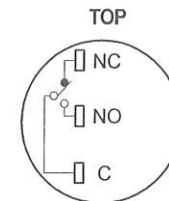
01 : Alternate



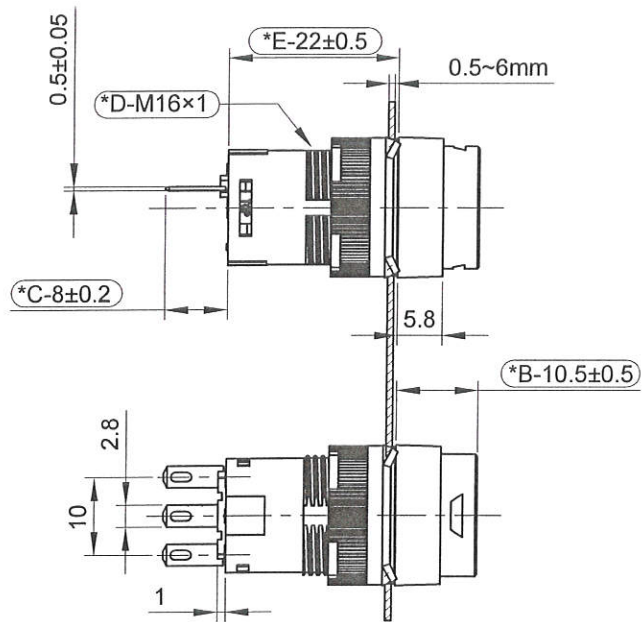
## Bottom View



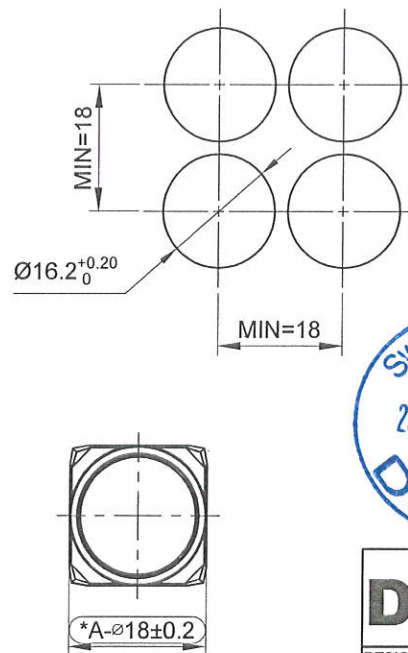
## Electrical Diagram



## Soldering/Plug-in Type Pushbutton Switch



## Hole Dia



## Product Specifications

Mechanical life : >100,000 operations

Electrical life : >50,000 operations

Electrical rating

Contact Ratings					
Rated Insulation Voltage(Ui)		250 V			
Rated Thermal Current (Ith)		5 A			
Operating Voltage(AC/DC) (Ue)		12V	30V	125V	250V
AC 50/60 Hz	Resistive Load (Ie)	5.0A	5.0A	4.0A	2.0A
	Inductive Load (Ie)	5.0A	5.0A	3.0A	1.5A
DC	Resistive Load (Ie)	1.0A	1.0A	0.32A	0.16A
	Inductive Load (Ie)	1.0A	1.0A	0.22A	0.11A

Max. insulation voltage : 1500V 60Hz 1min  
between all terminals

Panel thickness : 0.5mm~6mm

Degree of protection : IP65

Storage temperature : -30°C to +80°C

Operating temperature : -25°C to +55°C

Contact resistance : <50mΩ(initial)

Insulation resistance : >100MΩ



<b>DECA</b> SwitchLab Inc.		PART NAME	UNIT	SCALE
		Ø16 Pushbutton Switch Round Alternate IP65	MM	1:1
DESIGN DATE 2021/05/24		DRAWING NO.		SHEET
		C1S01-R12 1 □ -HG11		1/1
CHECK DATE 2021/05/24		APPROVE DATE 2021/05/24		