

C1 C 04 - R 5 2 □ □ - HG01



G01 : 2NC+2NO Gold-Plated
With lamp terminal

□ : Knob color

□ : lamp Operation Voltage

2 : IP65

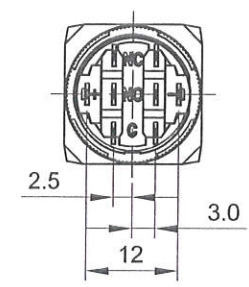
5 : Full guard

04 : 2 Position Knob Type with Maintained

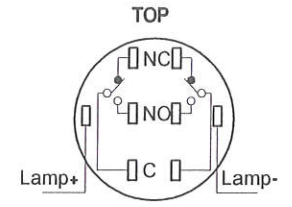
- B : Blue
- G : Green
- O : Orange
- R : Red
- W : White
- Y : Yellow
- P : Pure White

- 0 : Without Lamp
Use Lense Lamp
- H : LED 6V AC/DC
- J : LED 12V AC/DC
- K : LED 24V AC/DC

Bottom View

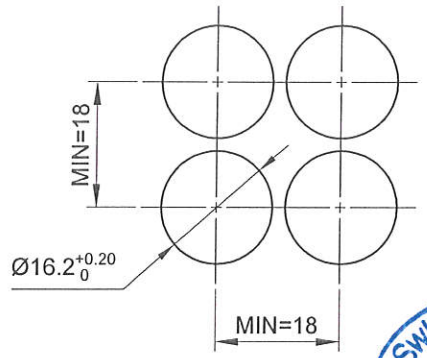
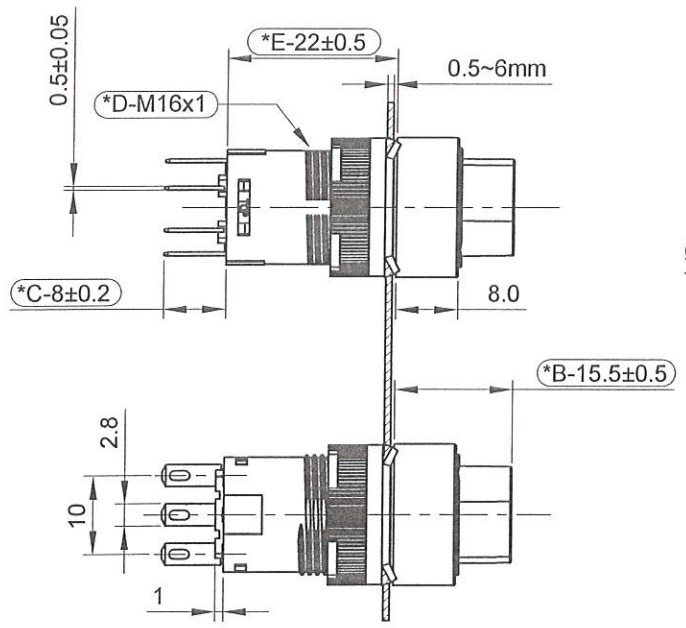


Electrical Diagram



Soldering/Plug-in Type Pushbutton Switch

Hole Dia



Product Specifications

Mechanical life : >250,000 operations
Electrical life : >50,000 operations
Electrical rating

Contact Ratings					
Rated Insulation Voltage(Ui)		250 V			
Rated Thermal Current (Ith)		5 A			
Operating Voltage(AC/DC) (Ue)		12V	30V	125V	250V
AC	Resistive Load (Ie)	5.0A	5.0A	4.0A	2.0A
	Inductive Load (Ie)	5.0A	5.0A	3.0A	1.5A
50/60 Hz	Resistive Load (Ie)	1.0A	1.0A	0.32A	0.16A
	Inductive Load (Ie)	1.0A	1.0A	0.22A	0.11A
DC	Resistive Load (Ie)	1.0A	1.0A	0.32A	0.16A
	Inductive Load (Ie)	1.0A	1.0A	0.22A	0.11A

Max. insulation voltage : 1500V 60Hz 1min
between all terminals
Panel thickness : 0.5mm~6mm
Degree of protection : IP65
Storage temperature : -30°C to +80°C
Operating temperature : -25°C to +55°C
Contact resistance : <50mΩ(initial)
Insulation resistance : >100MΩ

DECA® SwitchLab Inc.			PART NAME	UNIT	SCALE
			Ø16 Selector Switch IP65 Round 2 position maintained	MM	1:1
DESIGN 宋志新	CHECK 宋志新	APPROVE 宋志新	DRAWING NO.	SHEET	1/1
DATE 2021/07/05	DATE 2021/07/05	DATE 2021/07/05	C1C04-R52 □ □-HG01		

C1 C 04 - R 5 2 □ □ - HG02



G02 : 1NC+1NO Gold-Plated
With lamp terminal

□ : Knob color

B : Blue
G : Green
O : Orange
R : Red
W : White
Y : Yellow
P : Pure White

□ : lamp Operation Voltage

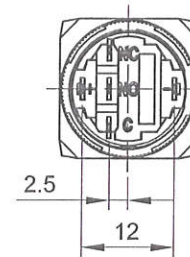
0 : Without Lamp
Use Lense Lamp
H : LED 6V AC/DC
J : LED 12V AC/DC
K : LED 24V AC/DC

2 : IP65

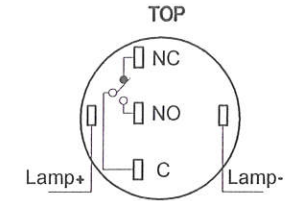
5 : Full guard

04 : 2 Position Knob Type
with Maintained

Bottom View

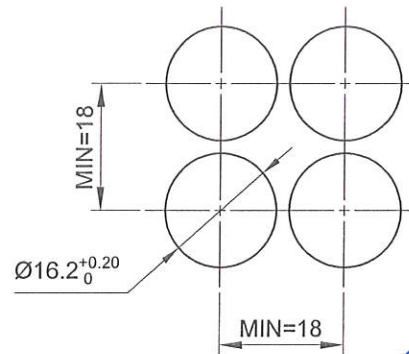
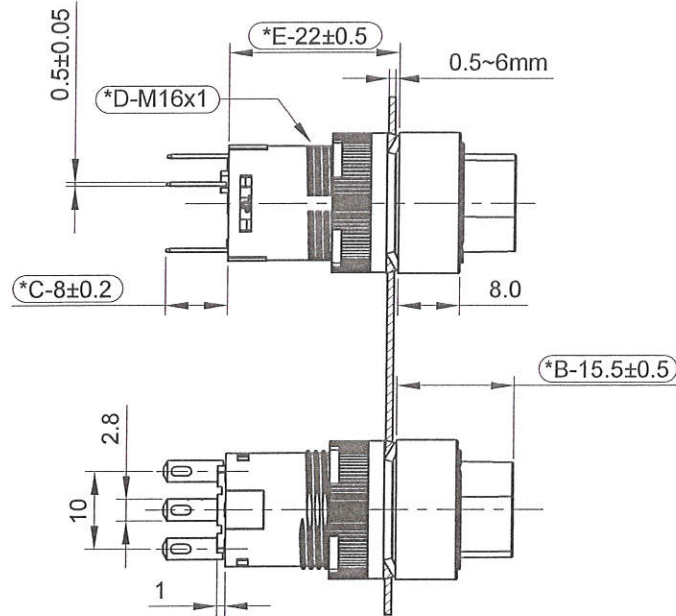


Electrical Diagram



Soldering/Plug-in Type Pushbutton Switch

Hole Dia



Product Specifications

Mechanical life : >250,000 operations
Electrical life : >50,000 operations
Electrical rating

Contact Ratings		250 V			
Rated Insulation Voltage(Ui)		250 V			
Rated Thermal Current (Ith)		5 A			
Operating Voltage(AC/DC) (Ue)		12V	30V	125V	250V
AC 50/60 Hz	Resistive Load (Ie)	5.0A	5.0A	4.0A	2.0A
	Inductive Load (Ie)	5.0A	5.0A	3.0A	1.5A
DC	Resistive Load (Ie)	1.0A	1.0A	0.32A	0.16A
	Inductive Load (Ie)	1.0A	1.0A	0.22A	0.11A

Max. insulation voltage : 1500V 60Hz 1min
between all terminals

Panel thickness : 0.5mm~6mm
Degree of protection : IP65
Storage temperature : -30°C to +80°C
Operating temperature : -25°C to +55°C
Contact resistance : <50mΩ(initial)
Insulation resistance : >100MΩ

DECA SwitchLab Inc.			PART NAME	UNIT	SCALE
			Ø16 Selector Switch IP65 Round 2 position maintained	MM	1 : 1
DESIGN 宋吉海	CHECK 林建宏	APPROVE 林建宏	DRAWING NO.	SHEET	1 / 1
DATE 2021/07/05	DATE 2021/07/05	DATE 2021/07/05	C1C04-R52 □ □-HG02		

C1 C 04 - R 5 2 1 □ - HG10

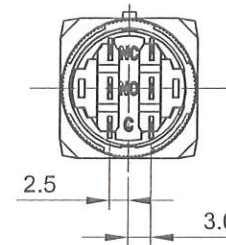


G10 : 2NC+2NO Gold-Plated

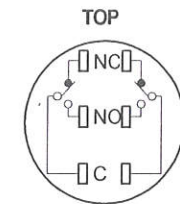
- : Knob color
- 1 : Without Lamp
Use General Cover
- 2 : IP65
- 5 : Full guard
- 04 : 2 Position Knob Type
with Maintained

- B : Blue
- G : Green
- K : Black
- R : Red
- W : White
- Y : Yellow

Bottom View

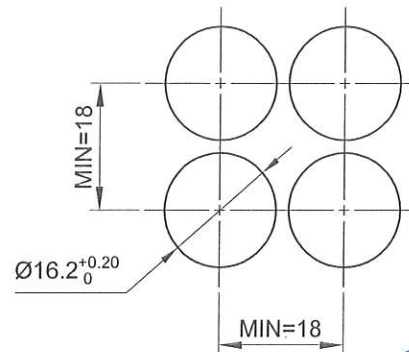
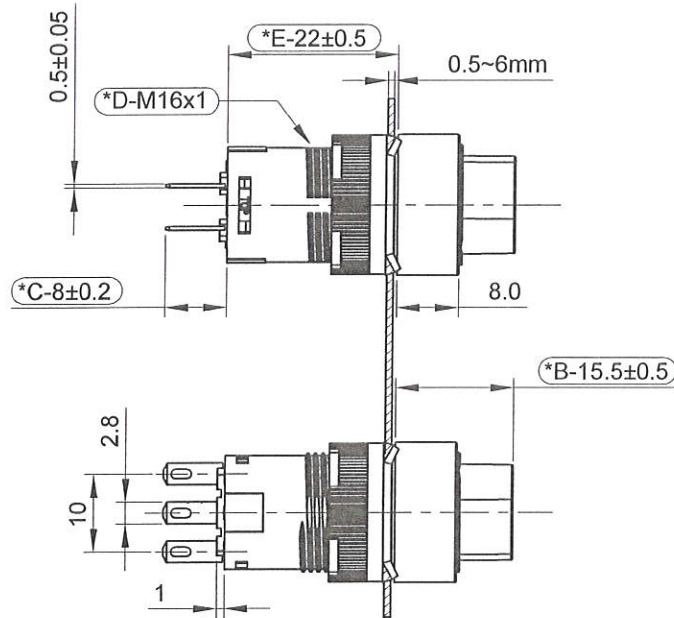


Electrical Diagram



Soldering/Plug-in Type Pushbutton Switch

Hole Dia



Product Specifications

Mechanical life : >250,000 operations
 Electrical life : >50,000 operations
 Electrical rating

Contact Ratings					
Rated Insulation Voltage(Ui)		250 V			
Rated Thermal Current (Ith)		5 A			
Operating Voltage(AC/DC) (Ue)		12V	30V	125V	250V
AC 50/60 Hz	Resistive Load (Ie)	5.0A	5.0A	4.0A	2.0A
	Inductive Load (Ie)	5.0A	5.0A	3.0A	1.5A
DC	Resistive Load (Ie)	1.0A	1.0A	0.32A	0.16A
	Inductive Load (Ie)	1.0A	1.0A	0.22A	0.11A

Max. insulation voltage : 1500V 60Hz 1min
 between all terminals
 Panel thickness : 0.5mm~6mm
 Degree of protection : IP65
 Storage temperature : -30°C to +80°C
 Operating temperature : -25°C to +55°C
 Contact resistance : <50mΩ(initial)
 Insulation resistance : >100MΩ

DECA® SwitchLab Inc.			PART NAME	UNIT	SCALE
			Ø16 Selector Switch IP65 Round 2 position maintained	MM	1 : 1
DESIGN DATE	CHECK DATE	APPROVE DATE	DRAWING NO.	SHEET	1 / 1
2021/07/05	2021/07/05	2021/07/05	C1C04-R52 1 □-HG10		

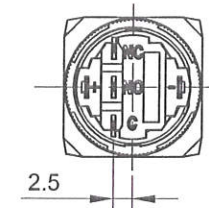
C1 C 04 - R 5 2 1 □ - HG11



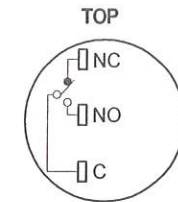
G11 : 1NC+1NO Gold-Plated

- : Knob color
 - 1 : Without Lamp
Use General Cover
 - 2 : IP65
 - 5 : Full guard
 - 04 : 2 Position Knob Type
with Maintained
- B : Blue
 - G : Green
 - K : Black
 - R : Red
 - W : White
 - Y : Yellow

Bottom View

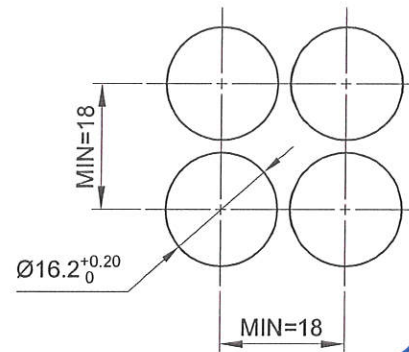
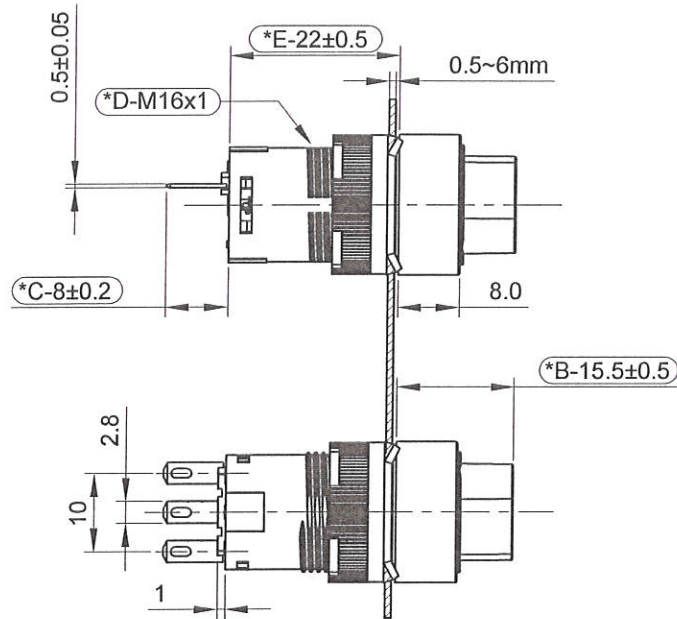


Electrical Diagram



Soldering/Plug-in Type Pushbutton Switch

Hole Dia



Product Specifications

Mechanical life : >250,000 operations
 Electrical life : >50,000 operations
 Electrical rating

Contact Ratings					
Rated Insulation Voltage(Ui)		250 V			
Rated Thermal Current (Ith)		5 A			
Operating Voltage(AC/DC) (Ue)		12V	30V	125V	250V
AC 50/60 Hz	Resistive Load (Ie)	5.0A	5.0A	4.0A	2.0A
	Inductive Load (Ie)	5.0A	5.0A	3.0A	1.5A
DC	Resistive Load (Ie)	1.0A	1.0A	0.32A	0.16A
	Inductive Load (Ie)	1.0A	1.0A	0.22A	0.11A

Max. insulation voltage : 1500V 60Hz 1min
 between all terminals

Panel thickness : 0.5mm~6mm
 Degree of protection : IP65
 Storage temperature : -30°C to +80°C
 Operating temperature : -25°C to +55°C
 Contact resistance : <50mΩ(initial)
 Insulation resistance : >100MΩ

A
REV.

DECA® SwitchLab Inc.			PART NAME	UNIT	SCALE
			Ø16 Selector Switch IP65 Round 2 position maintained	MM	1:1
DESIGN DATE	CHECK DATE	APPROVE DATE	DRAWING NO.	SHEET	1/1
2021/07/05	2021/07/05	2021/07/05	C1C04-R52 1 □-HG11		