

type no.:

E1E19-F620 RM - F42



42 : 1NC (slow action)
RM : Red, with arrow marked

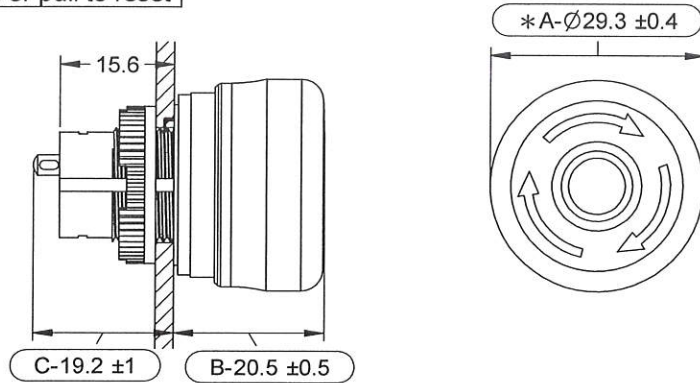
order no.:

E1E19-F620RM-F42 / □□□

(Order no. codes)

Soldering Type Emergency Stop Switch

Pushlock, turn or pull to reset



Product Specifications

- Mechanical lifetime : >0.1 million operations
- Motion tolerance : <15 operations / minute
- Degree of protection : IP 65
- Panel thickness : 0.8mm ~ 4.5mm
- Mounting torque : 0.88 N-m
- Max. insulation voltage: 1000V 60Hz 1 minute
- Storage temperature : -40°C to +85°C
- Operating temperature: -25°C to +70°C
- Contact resistance : $\leq 50m\Omega$ (initial)

Contact ratings

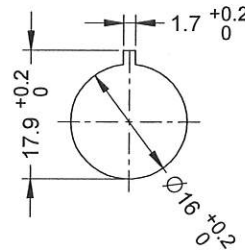
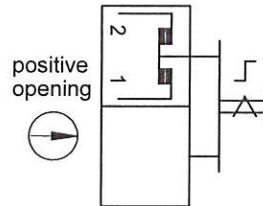
Rated insulation voltage (Ui)	250V			
Thermal current (Ith)	5A			
Rated operational voltage (Ue)	30V	125V	250V	
Rated operational current (Ie)	(AC-12)	-	5A	3A
	(AC-15)	-	1.5A	0.75A
	(DC-12)	2A	0.4A	0.2A
	(DC-13)	1A	0.22A	0.1A



Bottom View

Electrical Diagram

Mounting Hole



Note:

TUV / CCC rating: AC-15 0.75A/250V, DC-13 1A/30V
 CUL rating: Standard Duty AC 0.75A/250V
 Standard Duty DC 1A/30V

C
REV.

DECA[®]SwitchLab Inc.			PART NAME	UNIT	SCALE
DESIGNER <i>Kingdon</i>	CHECK <i>JBH</i>	APPROVE <i>[Signature]</i>	Soldering Type Emergency Stop Switch	MM	$\frac{\square}{\square}$
DATE 2019/04/29	DATE 2019/04/29	DATE 2019/04/29	DRAWING NO.		SHEET
			E1E19-F620RM-F42		1 / 1