

type no.:

E1E19-F620 RM - F41

RoHS
Compliant

CE c RU us

CCC



41 : 2NC (slow action)
RM : Red, with arrow marked

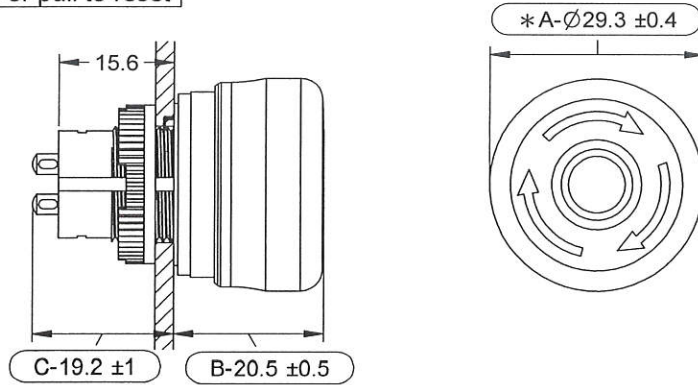
order no.:

E1E19-F620RM-F41 /

(Order no. codes)

Soldering Type Emergency Stop Switch

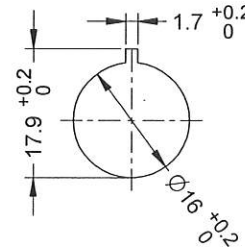
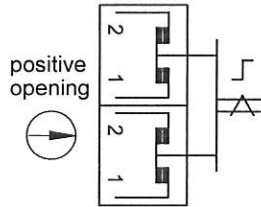
Pushlock, turn or pull to reset



Bottom View

Electrical Diagram

Mounting Hole



Product Specifications

- Mechanical lifetime : >0.1 million operations
- Motion tolerance : <15 operations / minute
- Degree of protection : IP 65
- Panel thickness : 0.8mm ~ 4.5mm
- Mounting torque : 0.88 N-m
- Max. insulation voltage: 1000V 60Hz 1 minute
- Storage temperature : -40°C to +85°C
- Operating temperature: -25°C to +70°C
- Contact resistance : ≤50mΩ (initial)

Contact ratings

Rated insulation voltage (Ui)	250V		
Thermal current (Ith)	5A		
Rated operational voltage (Ue)	30V	125V	250V
Rated operational current (Ie)	(AC-12)	-	5A
	(AC-15)	-	1.5A
	(DC-12)	2A	0.4A
	(DC-13)	1A	0.22A

Note:

TUV / CCC rating: AC-15 0.75A/250V, DC-13 1A/30V
CUL rating: Standard Duty AC 0.75A/250V
Standard Duty DC 1A/30V



C
REV.

THIS DRAWING CONTAINS INFORMATION THAT IS PROPRIETARY TO DECA SWITCHLAB INC. AND SHOULD NOT BE USED WITHOUT WRITTEN PERMISSION. (本圖未經許可 禁止翻印 保留或傳閱 違者必究)

DECA SwitchLab Inc.			PART NAME	UNIT	SCALE
DESIGNER	CHECK	APPROVE	Soldering Type Emergency Stop Switch	MM	1/1
DATE	DATE	DATE	DRAWING NO.		SHEET
2019/04/29	2019/04/29	2019/04/29	E1E19-F620RM-F41		1 / 1