

type no.:

E1E19-F620 RA - F42

RoHS
Compliant

CE G R us

CCC



42 : 1NC (slow action)
RA : Crimson red, with arrow
marked & Anti-slip surface

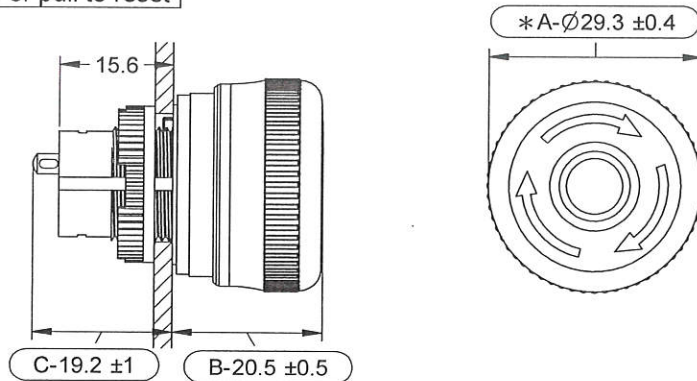
order no.:

E1E19-F620RA-F42 /

(Order no. codes)

Soldering Type Emergency Stop Switch

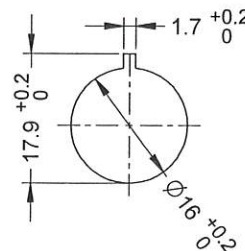
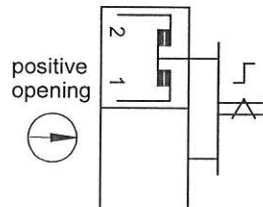
Pushlock, turn or pull to reset



Bottom View

Electrical Diagram

Mounting Hole



Product Specifications

Mechanical lifetime : >0.1 million operations
Motion tolerance : <15 operations / minute
Degree of protection : IP 65 / type 4X
Panel thickness : 0.8mm ~ 4.5mm
Mounting torque : 0.88 N-m
Max. insulation voltage : 1500V 60Hz 1 minute
Storage temperature : -40°C to +85°C
Operating temperature : -25°C to +70°C
Contact resistance : ≤50mΩ (initial)

Contact ratings

Rated insulation voltage (Ui)	250V			
Thermal current (Ith)	5A			
Rated operational voltage (Ue)	30V	125V	250V	
Rated operational current (Ie)	(AC-12)	-	5A	3A
	(AC-15)	-	1.5A	0.75A
	(DC-12)	2A	0.4A	0.2A
	(DC-13)	1A	0.22A	0.1A

Note:

TUV / CCC rating: AC-15 0.75A/250V, DC-13 1A/30V

UL rating: General Use AC 1.5A/250V

General Use DC 1A/30V



DECA[®]SwitchLab Inc.			PART NAME	UNIT	SCALE
			Soldering Type Emergency Stop Switch	MM	⊗
DESIGNER <i>Kingdom</i>	CHECK <i>Kingdom</i>	APPROVE <i>Kingdom</i>	DRAWING NO.		SHEET
DATE 2019/10/29	DATE 2019/10/29	DATE 2019/10/29	E1E19-F620RA-F42		1 / 1

B
REV.