

type no.:

E1E19-F620 RA - F41



41 : 2NC (slow action)  
RA : Crimson red, with arrow  
marked & Anti-slip surface

order no.:

E1E19-F620RA-F41 /

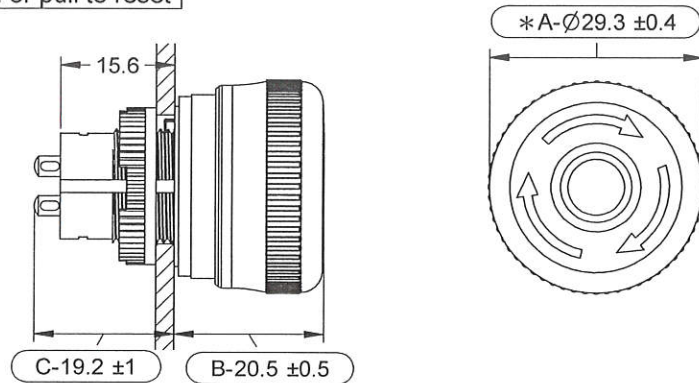
(Order no. codes)

### Product Specifications

- Mechanical lifetime : >0.1 million operations
- Motion tolerance : <15 operations / minute
- Degree of protection : IP 65 / type 4X
- Panel thickness : 0.8mm ~ 4.5mm
- Mounting torque : 0.88 N-m
- Max. insulation voltage: 1500V 60Hz 1 minute
- Storage temperature : -40°C to +85°C
- Operating temperature: -25°C to +70°C
- Contact resistance : <=50mΩ (initial)

## Soldering Type Emergency Stop Switch

Pushlock, turn or pull to reset

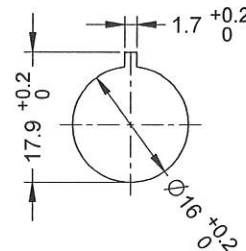
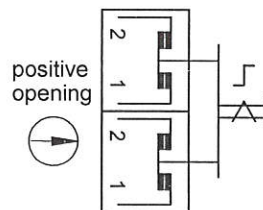


Contact ratings				
Rated insulation voltage (Ui)	250V			
Thermal current (Ith)	5A			
Rated operational voltage (Ue)	30V	125V	250V	
Rated operational current (Ie)	(AC-12)	-	5A	3A
	(AC-15)	-	1.5A	0.75A
	(DC-12)	2A	0.4A	0.2A
	(DC-13)	1A	0.22A	0.1A

Bottom View

Electrical Diagram

Mounting Hole



Note:

TUV / CCC rating: AC-15 0.75A/250V, DC-13 1A/30V  
 UL rating: General Use AC 1.5A/250V  
 General Use DC 1A/30V



D
REV.

<b>DECA<sup>®</sup>SwitchLab Inc.</b>			PART NAME	UNIT	SCALE
DESIGNER	CHECK	APPROVE	Soldering Type Emergency Stop Switch	MM	⊗
DATE	DATE	DATE	DRAWING NO.	⊗	SHEET
2019/10/29	2019/10/29	2019/10/29	E1E19-F620RA-F41		1 / 1