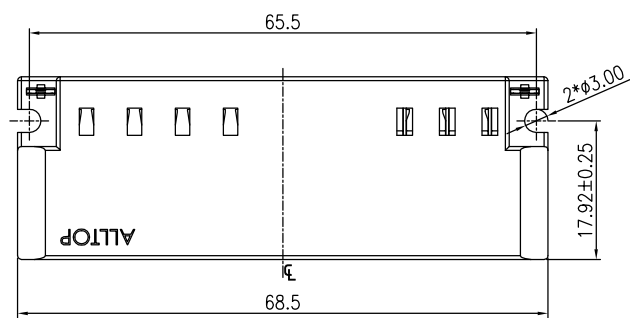
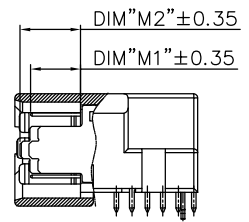


1	2		3		4	5	6		
PRODUCT NO.	Strictly Confidential	級別	適用廠區	可讀取人資訊	Hazardous Substances Free Compliant ALLTOP of Substances Management Procedure	REV.	NO.	DR	DATE
C27309-XXXX-X		2-Y	集團	內部-依文件內容說明, 或洽功能性部門主管同意 外部-承認書客戶/客戶圖面下載平台/文控單位文件申請單授權客戶		A	評: 2022110038	R.H	11/04/22'

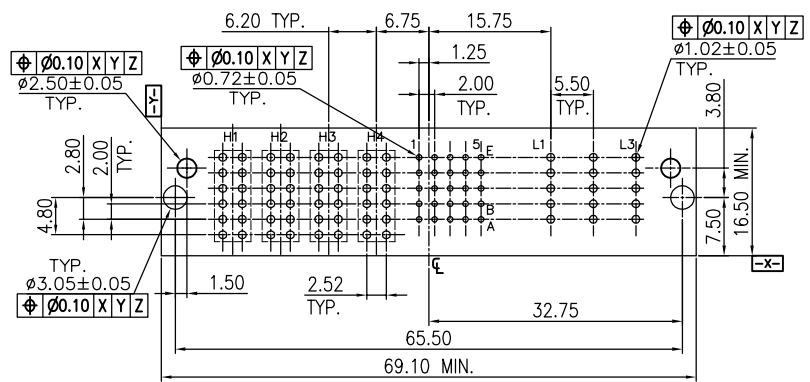
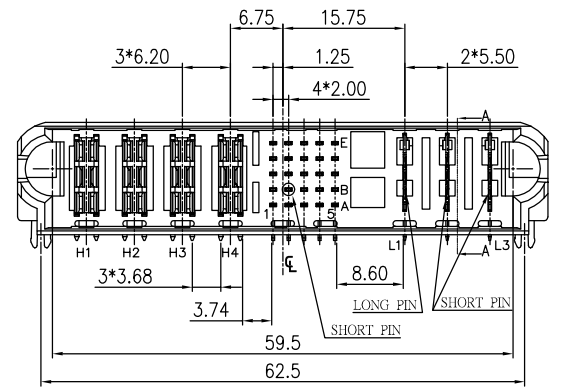
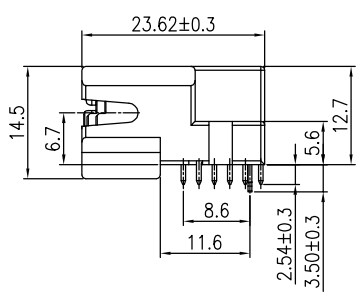
HALOGEN FREE



DIM "M" MATING LENGTH			
DIM "M1"	DIM "M2"		
OTHER	B2	L2/L3	L1
6.45mm	5.15mm	6.68mm	7.83mm



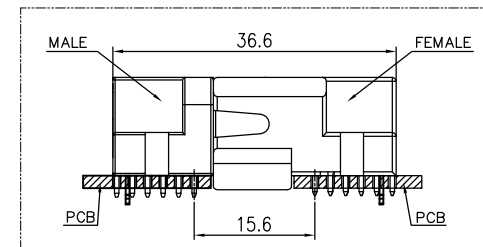
BROKEN-OUT SECTION A-A



Recommended P.C.B Layout (Component Side)
P.C.B Thickness 1.60 mm; Tolerance±0.05

- NOTES :
- MATERIAL :
INSULATOR : LCP, 30% G/F FILLED , UL94V-0 RATED
OR OTHER HIGH PERFORMANCE RESINS.
CONTACTS : COPPER ALLOY
 - FINISH :
CONTACTS : SELECTIVE GOLD PLATING IN THE CONTACT AREA,
AND SELECTIVE TIN PLATING IN THE SOLDER
TAIL AREA, WITH 60u" NICKEL UNDER PLATING OVERALL.
 - ORDERING NOMENCLATURE :
C27309-X XX 49-X

PACKING
Y: TRAY
No. OF POSITIONS
07: 4HP+25S+3LP
COLOR OF HOUSING:
1: BLACK



Mating drawing

PAIRED PLUG		PAIRED RECEPTACLE	
RIGHT ANGLE	STRAIGHT	RIGHT ANGLE	STRAIGHT
C27209	N/A	C27309	N/A

TOLERANCE UNLESS OTHERWISE SPECIFIED		CUSTOMER COPY	凡甲科技集團				
LINEAR	ANGLES		ALLTOP TECHNOLOGY CO., LTD.				
.0 ± 0.25	0 ± 2'	PROJECTION	TITLE				
.00 ± 0.15	.0 ± 1'		BLADE TYPE POWER FEMALE 140A FOR R/A BH=12.7mm DIP W/ CLIP				
.000 ± 0.10	.00 ± 0.5'		PRODUCT FAMILY BLADE TYPE POWER FEMALE 140A				
DESIGN	RUI HONG	11/04/22'	DWG NO. C27309				
DRAWING	RUI HONG	11/04/22'	FILE NO. C27309-100A				
CHECK	JOY YANG	11/04/22'	SIZE	UNIT	SCALE	SHEET	REV.
APPRO.	LI LI	11/04/22'	A4	MM	1 : 1	1 OF 1	A

本訊息係由凡甲科技股份有限公司(下稱「凡甲」)提供之機密資訊, 嚴禁揭露予收受者以外之任何第三人。所有內含之智慧財產及相關權利, 包括但不限於商標、專利、著作權、營業秘密及專門技術, 均為凡甲或其關係企業所專有, 未經凡甲事前書面同意, 嚴禁禁止未經授權之利用及修改。於此提供之所有智慧財產權僅供參考之用, 並非任何形式利用之授權。凡甲得依其判斷行使智慧財產權, 未行使或遲延行使權利, 亦非表示權利之拋棄。
The information provided herein is from Alltop Technology Co., Ltd. and is confidential. Any disclosure to a party other than the recipient is prohibited. The intellectual properties and its rights contained herein, including but not limited to, trademarks, patents, copyrights, trade secrets, and technical know-how, are owned exclusively by Alltop or its affiliates. Unauthorized use or modification is strictly prohibited without prior written consent from Alltop. All intellectual properties provided herein are for reference purposes only and does not constitute authorization of its use in any format or manner. Alltop may enforce its intellectual property rights at its own discretion; failures or delays to exercise such rights does not constitute a waiver of such rights