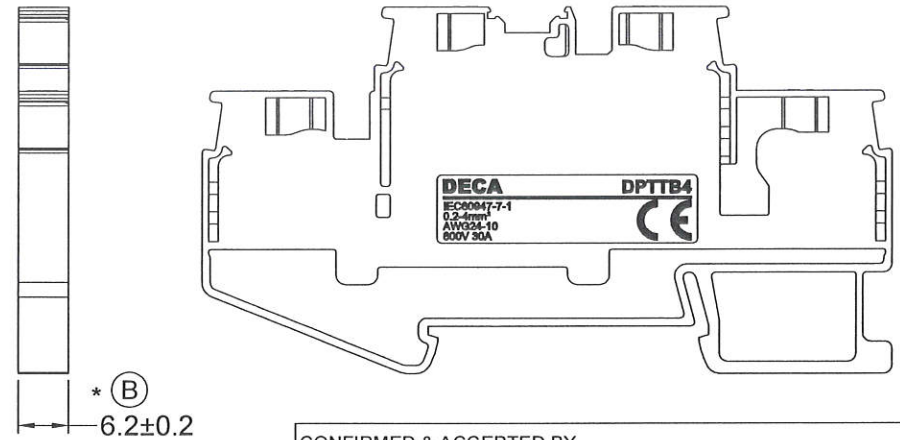
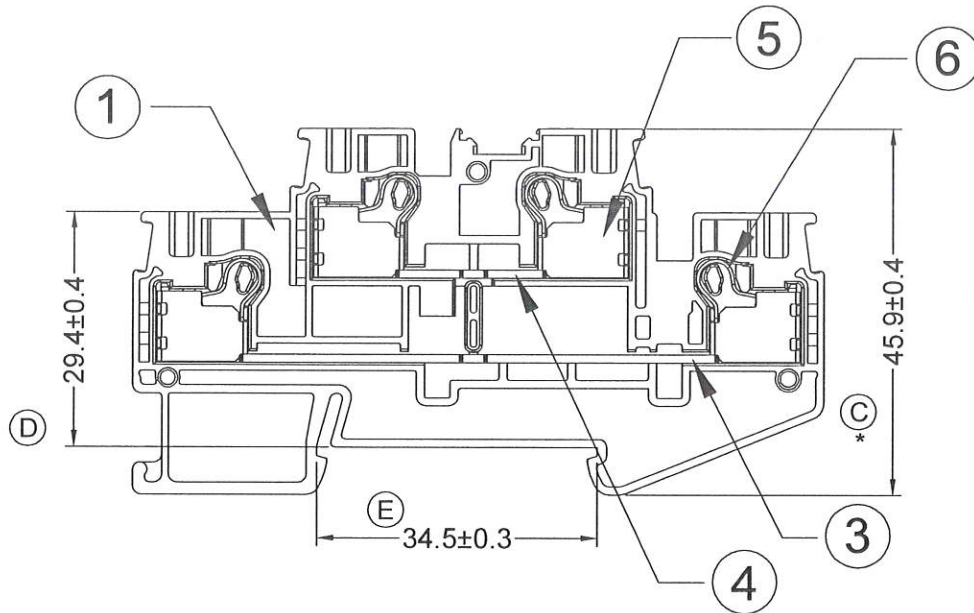
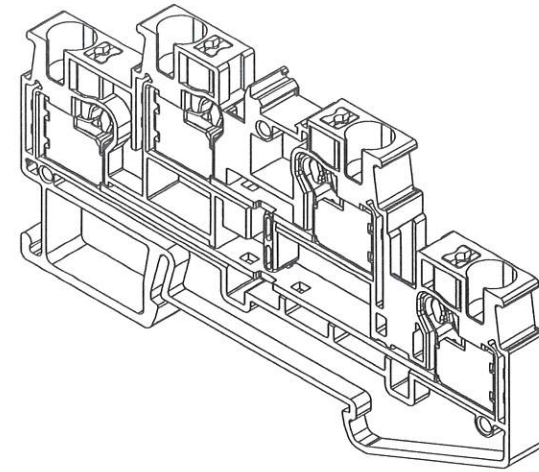
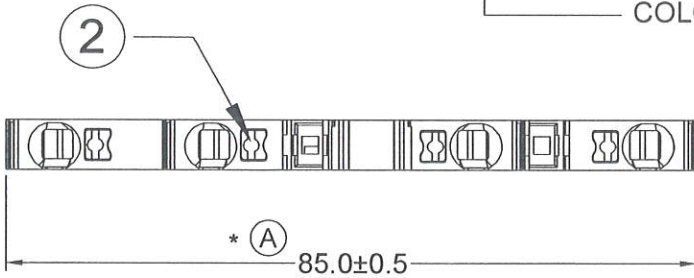


Type No.: DPTTB4

RoHS  
Compliant

COLOR : [ ](blank) : gray  
 BU : blue  
 OG : orange  
 GN : green  
 RD : red  
 YE : yellow



1. Rated current & voltage : 30Amp 600V
2. Rated current & voltage : 32Amp 800V(IEC)
3. Rated surge voltage: 8KV
4. Operation temperature : -40°C to +105°C
5. Wire strip length: 8mm-12mm
6. Wire size : 24 - 10 AWG (0.2-4mm<sup>2</sup>)



CONFIRMED & ACCEPTED BY				
Material		QTY	Plating/Finish	Remark
1	Insulating body Polyamide 66	1		
2	Button PBT	4	Orange	
3	Terminal COPPER	1	Tin plated	
4	Terminal COPPER	1	Tin plated	
5	Shell STEEL	4	Zinc plated	
6	Spring STAINLESS	4		

<b>DECA</b> SwitchLab Inc.			PART NAME	UNIT	SCALE
			Terminal Blocks	MM	<input checked="" type="checkbox"/>
DESIGN Sam	CHECK [Signature]	APPROVE [Signature]	DRAWING NO.		SHEET
DATE 2021/10/20	DATE 2021/10/20	DATE 2021/10/20	DPTTB4 x		1/1

A  
REV.