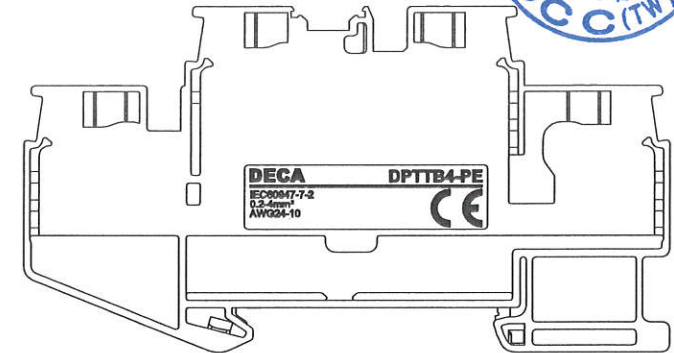
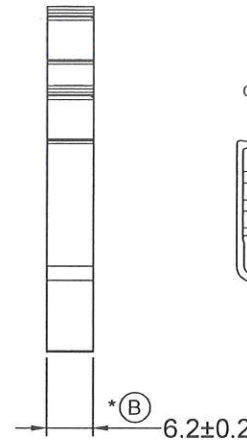
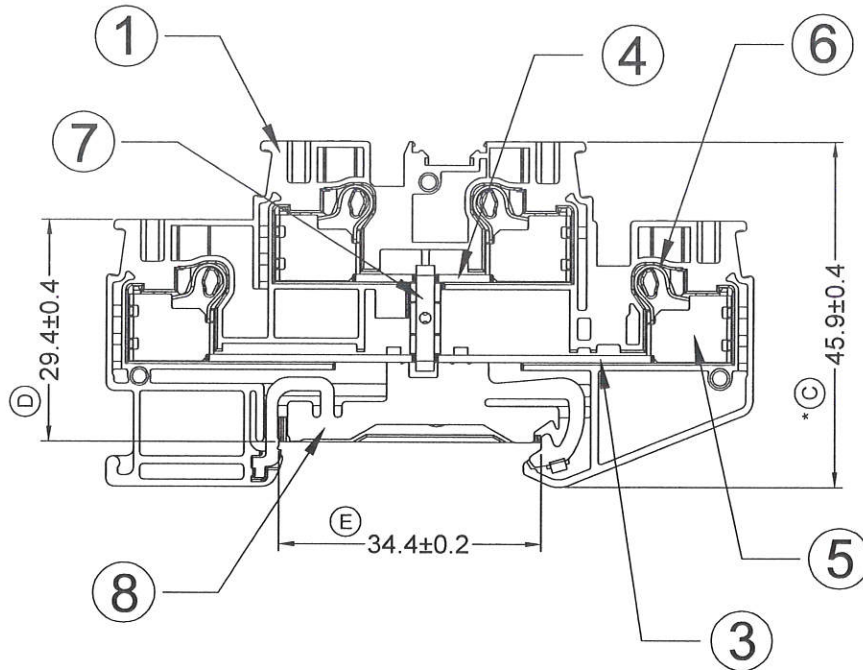
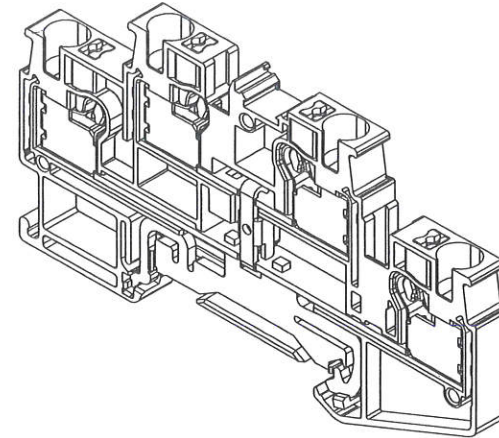
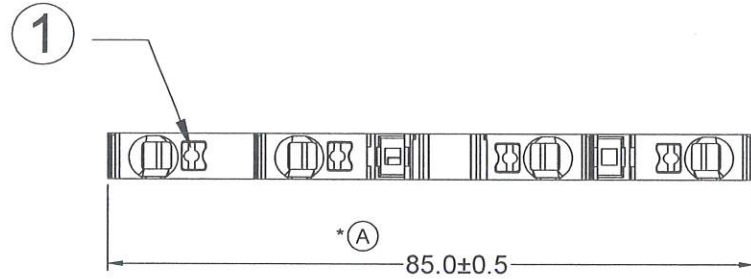


Type No.: DPTTB4-PE

RoHS
Compliant



CONFIRMED & ACCEPTED BY

| | Material | | QTY | Plating/Finish | Remark |
|---|-----------------|--------------|-----|---------------------|--------|
| 1 | Insulating body | Polyamide 66 | 1 | Green & Yellow(MIX) | |
| 2 | Button | PBT | 4 | Orange | |
| 3 | Terminal | COPPER | 1 | Tin plated | |
| 4 | Terminal | COPPER | 1 | Tin plated | |
| 5 | Shell | STEEL | 4 | Zinc plated | |
| 6 | Spring | STAINLESS | 4 | | |
| 7 | Short Bar | COPPER | 1 | Tin plated | |
| 8 | Ground Plate | COPPER ALLOY | 1 | Tin plated | |

1. Rated voltage : 600V
2. Rated voltage : 800V(IEC)
3. Rated surge voltage: 8KV
4. Operation temperature : -40°C to +105°C
5. Wire strip length: 8mm-12mm
6. Wire size : 24 - 10 AWG (0.2-4mm²)

| | | | | | |
|------------------------------|--------------------|------------------------|-----------------|-------|-------|
| DECA ® SwitchLab Inc. | | | PART NAME | UNIT | SCALE |
| | | | Terminal Blocks | MM | 1/1 |
| DESIGN Sam | CHECK Cao | APPROVE [Signature] | DRAWING NO. | SHEET | |
| DATE 2021/10/20 | DATE 2021/10/20 | DATE 2021/10/20 | DPTTB4-PE | 1/1 | |

A
REV.