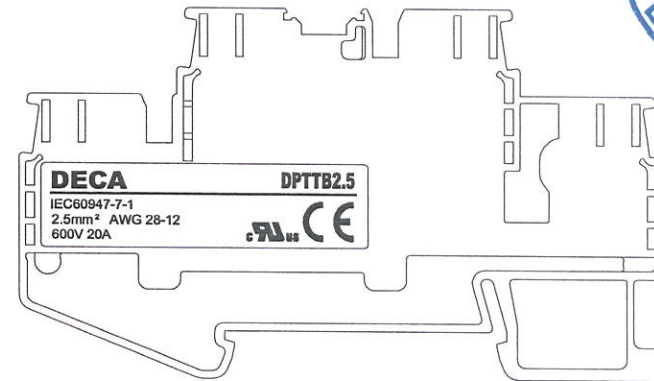
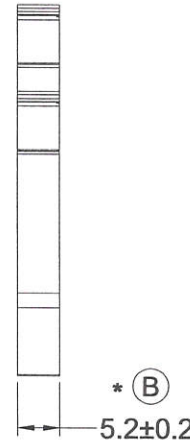
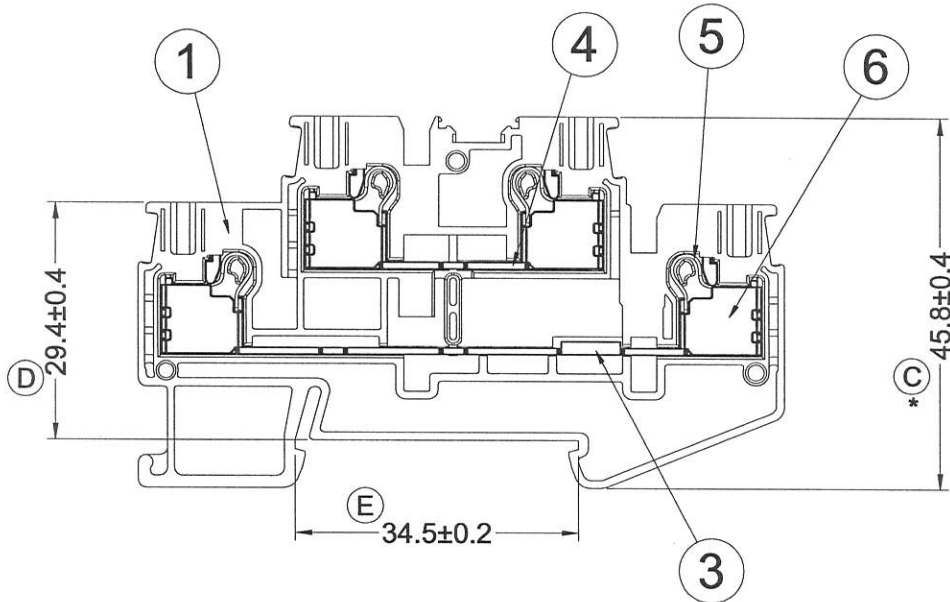
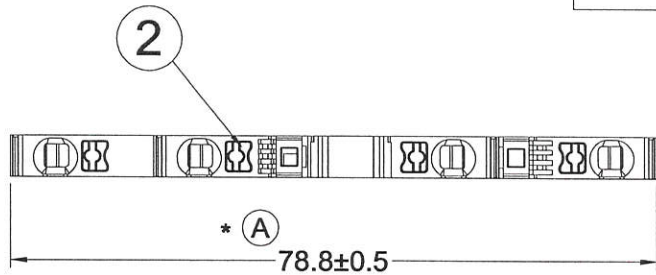
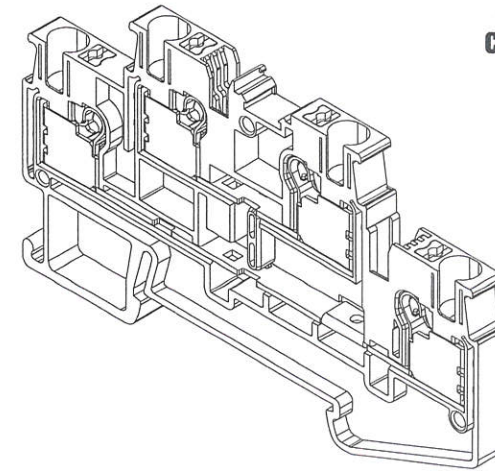


# Type No.: DPTTB2.5



COLOR: [ ](空白): gray  
 BU: blue  
 OG: orange  
 GN: green  
 RD: red  
 YE: yellow



CONFIRMED & ACCEPTED BY \_\_\_\_\_

Material	QTY	Plating/Finish	Remark
1 Insulating body	Polyamide 66	1	
2 Button	PBT	4	
3 Terminal	COPPER	1	Tin plated
4 Terminal	COPPER	1	Tin plated
5 Spring	STAINLESS	4	
6 Shell	STEEL	4	Zinc plated

1. Rated current & voltage : 20Amp 600V(UL B,C class)
2. Rated current & voltage : 24Amp 800V(IEC)
3. Rated surge voltage: 8KV
4. Operation temperature : -40°C to +105°C
5. Wire strip length: 8mm-10mm
6. Wire size : 28 - 12 AWG (0.08-2.5mm<sup>2</sup>)

**DECA** SwitchLab Inc.

DESIGN	CHECK	APPROVE
Sam	<i>[Signature]</i>	<i>[Signature]</i>
DATE	DATE	DATE
2020/08/12	2020/08/12	2020/08/12

PART NAME	UNIT	SCALE
Terminal Blocks	MM	1/1
DRAWING NO.		SHEET
DPTTB2.5 x		1/1

B  
REV.