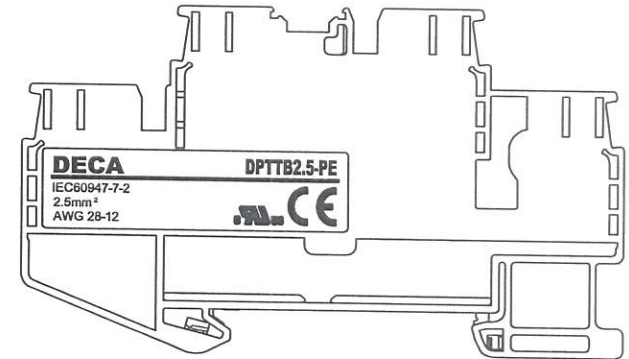
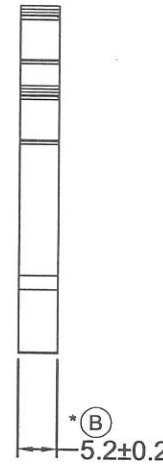
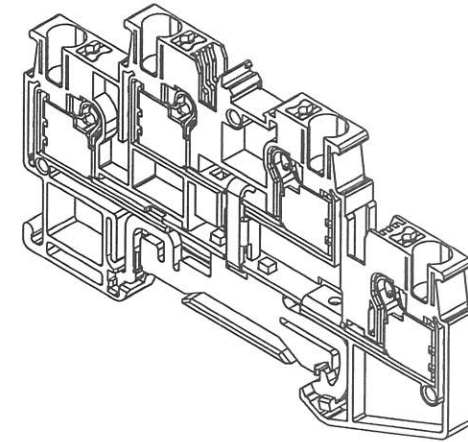
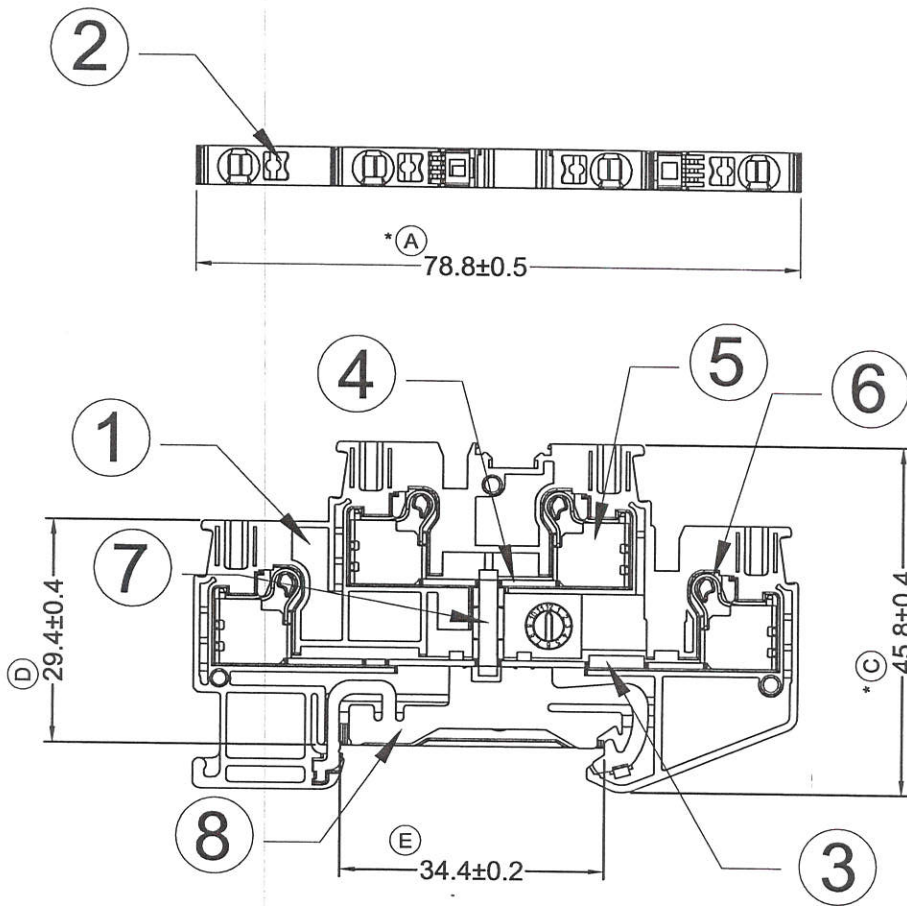


Type No.: DPTTB2.5-PE

RoHS
Compliant



1. Rated voltage : 600V(UL)
2. Rated voltage : 800V(IEC)
3. Rated surge voltage: 8KV
4. Operation temperature : -40°C to +105°C
5. Wire strip length: 8mm-10mm
6. Wire size : 28 - 12 AWG (0.08-2.5mm²)



CONFIRMED & ACCEPTED BY				
Material		QTY	Plating/Finish	Remark
1	Insulating body	Polyamide 66	1	Green & Yellow(MIX)
2	Button	PBT	4	
3	Terminal	COPPER	1	Tin plated
4	Terminal	COPPER	1	Tin plated
5	Shell	STEEL	4	Zinc plated
6	Spring	STAINLESS	4	
7	Short Bar	COPPER	1	Tin plated
8	Ground Plate	COPPER ALLOY	1	Tin plated

DECA SwitchLab Inc.		PART NAME	UNIT	SCALE
DESIGN: sam		Terminal Blocks	MM	<input checked="" type="checkbox"/>
DATE: 2020/08/20	CHECK: [Signature]	DRAWING NO.		SHEET
	DATE: 2020/08/20	DPTTB2.5-PE		1/1
	DATE: 2020/08/20			