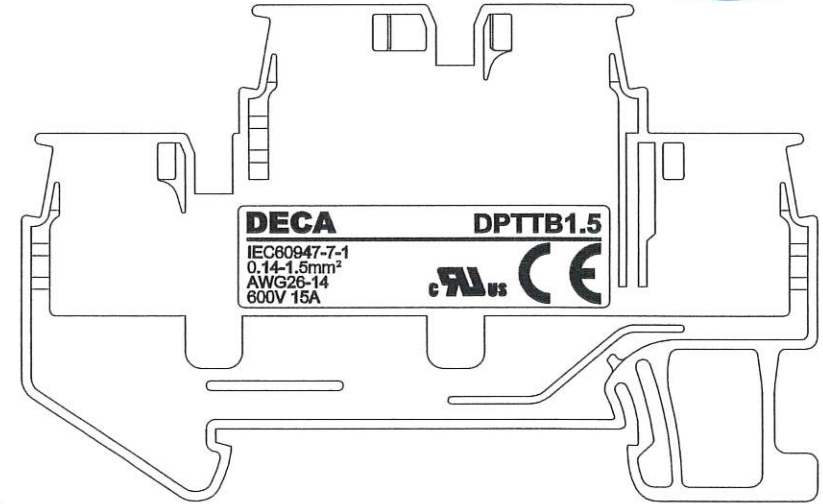
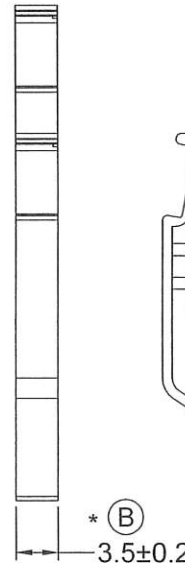
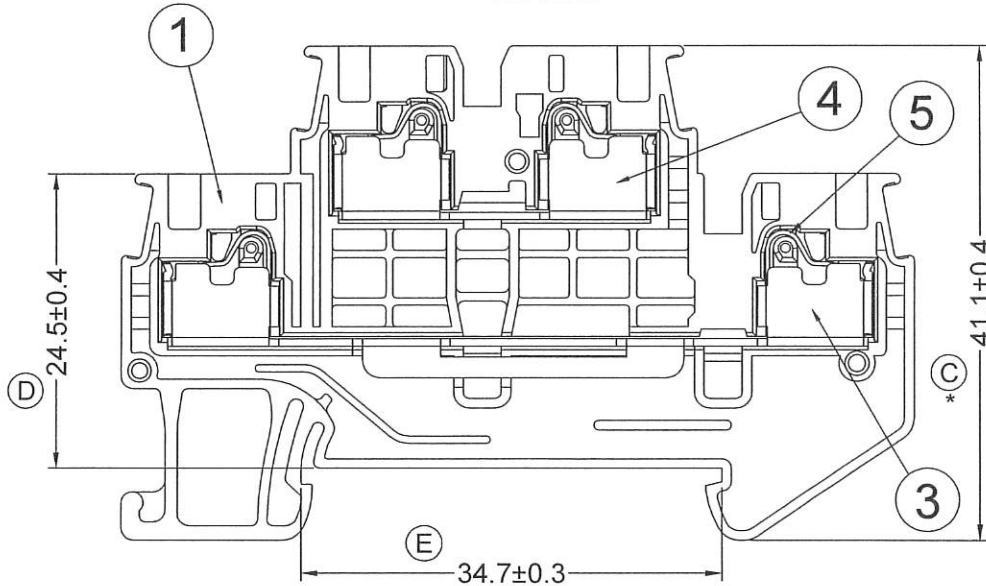
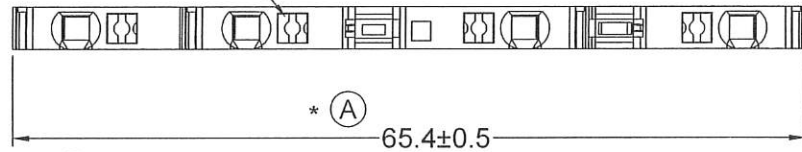
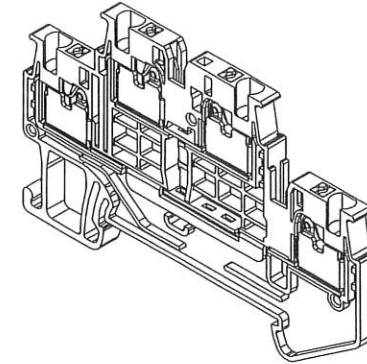


Type No.: DPTTB1.5



COLOR : [](blank) : gray
 BU : blue
 OG : orange
 GN : green
 RD : red
 YE : yellow

UL us RoHS
 Compliant



CONFIRMED & ACCEPTED BY _____

	Material	QTY	Plating/Finish	Remark
1	Insulating body Polyamide 66	1		
2	Button PBT	4		
3	Terminal COPPER	1	Tin plated	
4	Terminal COPPER	1	Tin plated	
5	Spring STAINLESS	4		

1. Rated current & voltage : 15Amp 600V(UL)
2. Rated current & voltage : 17.5Amp 500V(IEC)
3. Rated surge voltage: 6KV
4. Operation temperature : -40°C to +105°C
5. Wire strip length: 8mm-10mm
6. Wire size : 26 - 14 AWG (0.14-1.5mm²)

DECA [®] SwitchLab Inc.			PART NAME	UNIT	SCALE
			Terminal Blocks	MM	⊗
DESIGN <i>Sam</i>	CHECK <i>[Signature]</i>	APPROVE <i>[Signature]</i>	DRAWING NO.		SHEET
DATE 2021/12/21	DATE 2021/12/21	DATE 2021/12/21	DPTTB1.5 x		1/1

A
 REV.