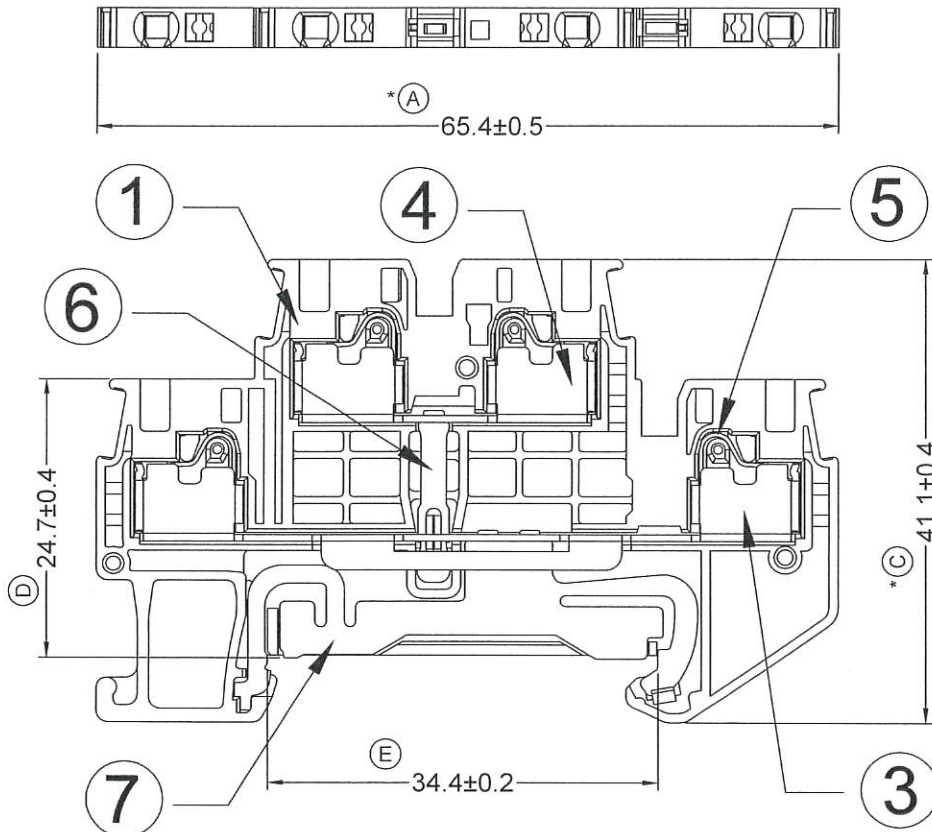
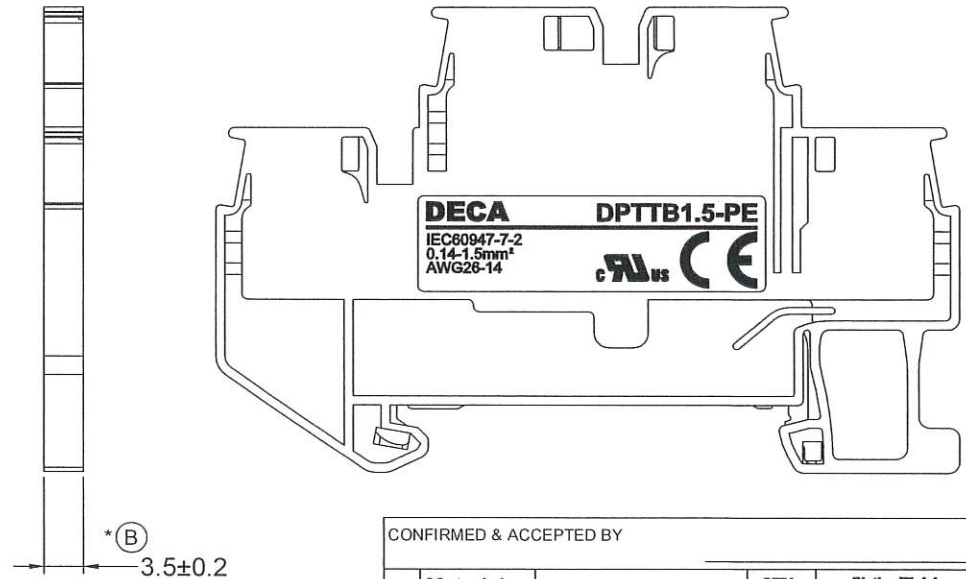
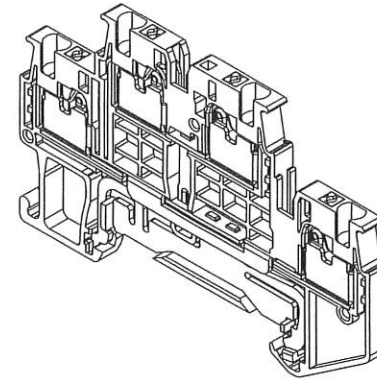


Type No.: DPTTB1.5-PE

cRUs RoHS
Compliant



1. Rated voltage : 600V(UL)
2. Rated voltage : 500V(IEC)
3. Rated surge voltage: 6KV
4. Operation temperature : -40°C to +105°C
5. Wire strip length: 8mm-10mm
6. Wire size : 26 - 14 AWG (0.14-1.5mm²)

CONFIRMED & ACCEPTED BY					
	Material		QTY	Plating/Finish	Remark
1	Insulating body	Polyamide 66	1	Green & Yellow(MIX)	
2	Button	PBT	4		
3	Terminal	COPPER	1	Tin plated	
4	Terminal	COPPER	1	Tin plated	
5	Spring	STAINLESS	4		
6	Short Bar	COPPER	1	Tin plated	
7	Ground Plate	COPPER ALLOY	1	Tin plated	

DECA [®] SwitchLab Inc.			PART NAME	UNIT	SCALE
			Terminal Blocks	MM	
DESIGN <i>Sam</i>	CHECK <i>Chy</i>	APPROVE <i>[Signature]</i>	DRAWING NO.		SHEET
DATE 2021/12/21	DATE 2021/12/21	DATE 2021/12/21	DPTTB1.5-PE		1 / 1